



Serial Device Server

ICDM-RX/TCP-DB9/RJ45-DIN

- DIN-rail mounting and DB9 serial connector
- Web-based configuration
- RS-232/422/485 software selectable interfaces
- TCP/IP & UDP Socket Services
- Device drivers (Windows and Linux)
- NEMA TS2 Certified

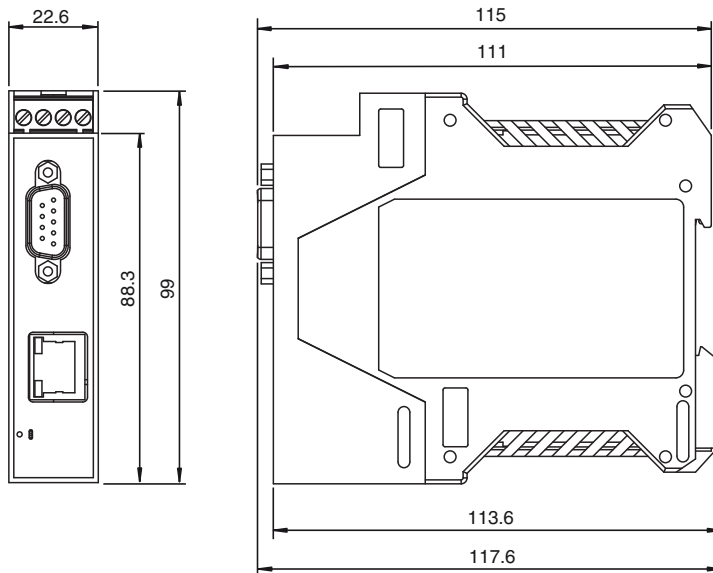
Serial Device Server 1-port DIN Rail DB9



Function

The ICDM-RX/TCP product family enables the connection of serial devices (RS-232 / RS-422 / RS-485) using a device driver (Windows or Linux) or Ethernet TCP/IP devices using socket services to an industrial Ethernet network. The integrated webserver enables complete configuration of all module parameters like serial interface, baud rate, parity, data bits, stop bits, or flow control. Products are available in different versions for DB9 or screw terminal connection.

Dimensions



Technical Data

General specifications

UL File Number E360395

Functional safety related parameters

MTBF 61.4 a

Indicators/operating means

Release date: 2021-03-31 Date of issue: 2021-03-31 Filename: 70104867_eng.pdf

Refer to "General Notes Relating to Pepperl+Fuchs Product Information".

Pepperl+Fuchs Group
www.pepperl-fuchs.com

USA: +1 330 486 0001
fa-info@us.pepperl-fuchs.com

Germany: +49 621 776 1111
fa-info@de.pepperl-fuchs.com

Singapore: +65 6779 9091
fa-info@sg.pepperl-fuchs.com

PF PEPPERL+FUCHS

Technical Data

| | | |
|----------------------------------|---|---|
| LED indication | see manual | |
| Electrical specifications | | |
| Rated operating voltage | U _e | 5 ... 30 V DC |
| General information | | Redundant power |
| Nominal voltage | | 24 V DC |
| Interface | | |
| Interface type | Software selectable interfaces: RS-232 , RS-422 , RS-485 (2 and 4-wire) | |
| Physical | | 1 x DB9 |
| Protocol | | Raw serial |
| Supported baud rates | | 300 bps to 230Kbps |
| Interface 1 | | |
| Interface type | | Industrial Ethernet |
| Physical | | 1 x RJ45 |
| Protocol | | TCP/IP |
| Additional protocols | ARP, BOOTP, DHCP/RARP, HTTP, HTTPS, SSH, SSL/TLS, ICMP, RFC 1006 (ISO over TCP), SNMP (MIB-II), TCP/IP & UDP socket services, Telnet, and TFTP, and supports IP multicast data transmission | |
| Transfer rate | | 10/100 Mbps |
| Directive conformity | | |
| Electromagnetic compatibility | | |
| Directive 2014/30/EU | | EN 61000-6-2 , EN 55024 , EN 61000-6-4 , EN 55032 |
| Standard conformity | | |
| Degree of protection | | NEMA TS2 |
| Electrical safety | | CSA C22.2 No. 61010-1-12 / CSA C22.2 No. 61010-1-201 UL 61010-1 / UL 61010-1-201 |
| Emitted interference | | EN 61000-6-4, EN 55032, FCC Part 15 Subpart B, ICES-003, AS/NZS CISPR 32 |
| Noise immunity | | EN 61000-6-2 , EN 55024 |
| Ambient conditions | | |
| Ambient temperature | | -40 ... 75 °C (-40 ... 167 °F) |
| Storage temperature | | -40 ... 85 °C (-40 ... 185 °F) |
| Relative humidity | | max. 95 % |
| Altitude | | 0 ... 3048 m |
| Mechanical specifications | | |
| Housing length | | 114.8 mm |
| Housing width | | 22.9 mm |
| Housing height | | 99.1 mm |
| Degree of protection | | IP20 |
| Connection | | Power Supply: screw terminals Fieldbus: 1 x RJ45 Inputs/outputs: 1 x DB9 |
| Material | | |
| Housing | | Polyamide, UL94V-0 |
| Mass | | 113.4g |
| Construction type | | Cabinet module |
| Mounting | | DIN mounting rail |

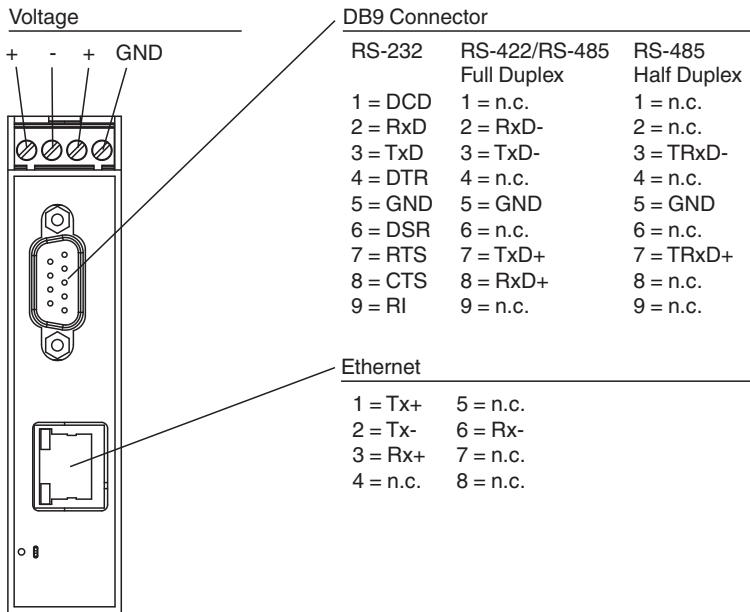
Release date: 2021-03-31 Date of issue: 2021-03-31 Filename: 70104867_eng.pdf

Refer to "General Notes Relating to Pepperl+Fuchs Product Information".

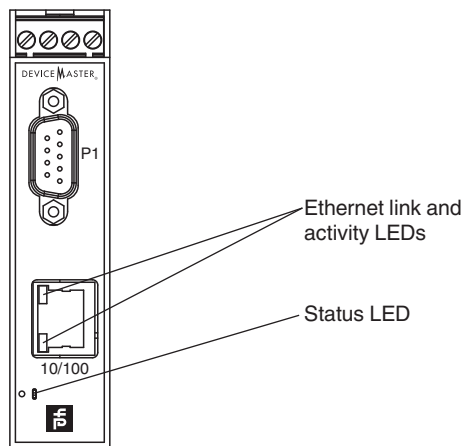
Pepperl+Fuchs Group
www.pepperl-fuchs.comUSA: +1 330 486 0001
fa-info@us.pepperl-fuchs.comGermany: +49 621 776 1111
fa-info@de.pepperl-fuchs.comSingapore: +65 6779 9091
fa-info@sg.pepperl-fuchs.com

PEPPERL+FUCHS

Connection



Assembly



Accessories

| | | |
|--|-------------------------------------|--|
| | V45-G-C5-GN1M-PUR-E1S | Ethernet bus cable male cordset single-ended RJ45, 4-pin, PUR cable green, Cat5e, shielded, UL approved, drag chain suitable |
| | V45-G-C5-GN3M-PUR-E1S | Ethernet bus cable male cordset single-ended RJ45, 4-pin, PUR cable green, Cat5e, shielded, UL approved, drag chain suitable |
| | V45-G-C5-GN10M-PUR-E1S | Ethernet bus cable male cordset single-ended RJ45, 4-pin, PUR cable green, Cat5e, shielded, UL approved, drag chain suitable |
| | V45-G-C5-GN1M-PUR-E1S-V45-G | Ethernet bus cable RJ45 to RJ45 PROFINET-coded, 4-pin, PUR cable green, Cat5e, shielded, UL approved, drag chain suitable |
| | V45-G-C5-GN3M-PUR-E1S-V45-G | Ethernet bus cable RJ45 to RJ45 PROFINET-coded, 4-pin, PUR cable green, Cat5e, shielded, UL approved, drag chain suitable |
| | V45-G-C5-GN10M-PUR-E1S-V45-G | Ethernet bus cable RJ45 to RJ45 PROFINET-coded, 4-pin, PUR cable green, Cat5e, shielded, UL approved, drag chain suitable |

Release date: 2021-03-31 Date of issue: 2021-03-31 Filename: 70104867_eng.pdf

Accessories

| | | |
|---|--|--|
|  | <p>V45-G-C5-GN20M-PUR-E1S-V45-G</p> | <p>Ethernet bus cable RJ45 to RJ45 PROFINET-coded, 4-pin, PUR cable green, Cat5e, shielded, UL approved, drag chain suitable</p> |
|---|--|--|

Release date: 2021-03-31 Date of issue: 2021-03-31 Filename: 70104867_eng.pdf

Refer to "General Notes Relating to Pepperl+Fuchs Product Information".

Pepperl+Fuchs Group
www.pepperl-fuchs.com

USA: +1 330 486 0001
fa-info@us.pepperl-fuchs.com

Germany: +49 621 776 1111
fa-info@de.pepperl-fuchs.com

Singapore: +65 6779 9091
fa-info@sg.pepperl-fuchs.com