



# PROFINET IO Gateway

## ICDM-RX/PN-DB9/RJ45-DIN

- DIN-rail mounting and DB9 serial connector
- Web-based configuration
- RS-232/422/485 software selectable interfaces
- PROFINET IO: connect serial and Ethernet TCP/IP devices to PROFINET IO controllers and TCP/IP applications
- NEMA TS2 Certified

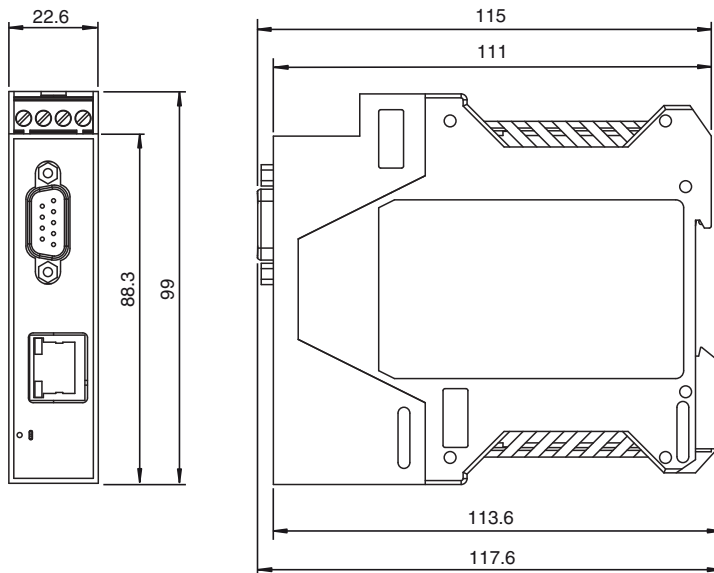
### PROFINET IO Gateway 1-port DIN Rail DB9



### Function

The ICDM-RX/PN product family enables connection of serial devices (RS-232 / RS-422 / RS-485) or Ethernet TCP/IP devices to an Industrial PROFINET IO network. Highly advanced raw/ASCII device interface functionality simplifies PLC programming and ensures robust operation. These features greatly simplify connecting devices such as barcode scanners, RFID readers, weigh scales, vision systems, printers, encoders, and sensors to PLCs. The integrated webserver enables complete configuration of all module parameters like serial interface, baud rate, or delimiting characters. Products are available in different versions for DB9 or screw terminal connection.

### Dimensions



### Technical Data

#### General specifications

UL File Number E360395

#### Functional safety related parameters

Release date: 2021-03-31 Date of issue: 2021-03-31 Filename: 70104873\_eng.pdf

Refer to "General Notes Relating to Pepperl+Fuchs Product Information".

Pepperl+Fuchs Group  
www.pepperl-fuchs.com

USA: +1 330 486 0001  
fa-info@us.pepperl-fuchs.com

Germany: +49 621 776 1111  
fa-info@de.pepperl-fuchs.com

Singapore: +65 6779 9091  
fa-info@sg.pepperl-fuchs.com

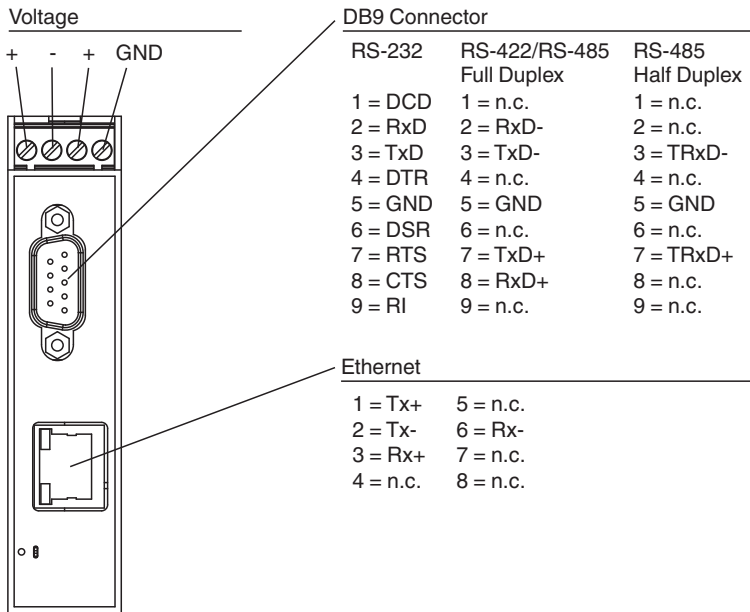
**PEPPERL+FUCHS**

## Technical Data

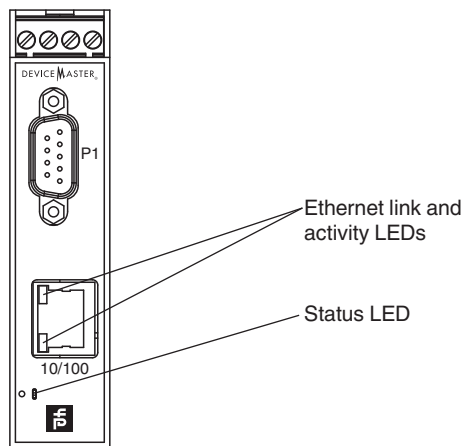
MTBF	61.4 a
<b>Indicators/operating means</b>	
LED indication	see manual
<b>Electrical specifications</b>	
Rated operating voltage	U <sub>e</sub> 5 ... 30 V DC
General information	Redundant power
Nominal voltage	24 V DC
<b>Interface</b>	
Interface type	Software selectable interfaces: RS-232 , RS-422 , RS-485 (2 and 4-wire)
Physical	1 x DB9
Protocol	Raw serial
Supported baud rates	300 bps to 230Kbps
<b>Interface 1</b>	
Interface type	Industrial Ethernet
Physical	1 x RJ45
Protocol	PROFINET IO
Additional protocols	ARP, BOOTP, DHCP/RARP, HTTP, HTTPS, SSH, SSL/TLS, ICMP, RFC 1006 (ISO over TCP), SNMP (MIB-II), TCP/IP & UDP socket services, Telnet, and TFTP, and supports IP multicast data transmission
Transfer rate	10/100 Mbps
<b>Directive conformity</b>	
Electromagnetic compatibility	
Directive 2014/30/EU	EN 61000-6-2 , EN 55024 , EN 61000-6-4 , EN 55032
<b>Standard conformity</b>	
Degree of protection	NEMA TS2
Electrical safety	CSA C22.2 No. 61010-1-12 / CSA C22.2 No. 61010-1-201 UL 61010-1 / UL 61010-1-201
Emitted interference	EN 61000-6-4, EN 55032, FCC Part 15 Subpart B, ICES-003, AS/NZS CISPR 32
Noise immunity	EN 61000-6-2 , EN 55024
<b>Ambient conditions</b>	
Ambient temperature	-40 ... 75 °C (-40 ... 167 °F)
Storage temperature	-40 ... 85 °C (-40 ... 185 °F)
Relative humidity	max. 95 %
Altitude	0 ... 3048 m
<b>Mechanical specifications</b>	
Housing length	114.8 mm
Housing width	22.9 mm
Housing height	99.1 mm
Degree of protection	IP20
Connection	Power Supply: screw terminals Fieldbus: 1 x RJ45 Inputs/outputs: 1 x DB9
Material	
Housing	Polyamide, UL94V-0
Mass	113.4g
Construction type	Cabinet module
Mounting	DIN mounting rail

Release date: 2021-03-31 Date of issue: 2021-03-31 Filename: 70104873\_eng.pdf

Connection



Assembly



Accessories

	<b>V45-G-C5-GN1M-PUR-E1S</b>	Ethernet bus cable male cordset single-ended RJ45, 4-pin, PUR cable green, Cat5e, shielded, UL approved, drag chain suitable
	<b>V45-G-C5-GN3M-PUR-E1S</b>	Ethernet bus cable male cordset single-ended RJ45, 4-pin, PUR cable green, Cat5e, shielded, UL approved, drag chain suitable
	<b>V45-G-C5-GN10M-PUR-E1S</b>	Ethernet bus cable male cordset single-ended RJ45, 4-pin, PUR cable green, Cat5e, shielded, UL approved, drag chain suitable
	<b>V45-G-C5-GN1M-PUR-E1S-V45-G</b>	Ethernet bus cable RJ45 to RJ45 PROFINET-coded, 4-pin, PUR cable green, Cat5e, shielded, UL approved, drag chain suitable
	<b>V45-G-C5-GN3M-PUR-E1S-V45-G</b>	Ethernet bus cable RJ45 to RJ45 PROFINET-coded, 4-pin, PUR cable green, Cat5e, shielded, UL approved, drag chain suitable
	<b>V45-G-C5-GN10M-PUR-E1S-V45-G</b>	Ethernet bus cable RJ45 to RJ45 PROFINET-coded, 4-pin, PUR cable green, Cat5e, shielded, UL approved, drag chain suitable

Release date: 2021-03-31 Date of issue: 2021-03-31 Filename: 70104873\_eng.pdf

**Accessories**

	<p><b>V45-G-C5-GN20M-PUR-E1S-V45-G</b></p>	<p>Ethernet bus cable RJ45 to RJ45 PROFINET-coded, 4-pin, PUR cable green, Cat5e, shielded, UL approved, drag chain suitable</p>
---	--	--

Release date: 2021-03-31 Date of issue: 2021-03-31 Filename: 70104873\_eng.pdf

Refer to "General Notes Relating to Pepperl+Fuchs Product Information".

Pepperl+Fuchs Group  
www.pepperl-fuchs.com

USA: +1 330 486 0001  
fa-info@us.pepperl-fuchs.com

Germany: +49 621 776 1111  
fa-info@de.pepperl-fuchs.com

Singapore: +65 6779 9091  
fa-info@sg.pepperl-fuchs.com