

EtherNet/IP to Modbus Gateway ICDM-RX/EN1-4DB9/2RJ45-DIN

- DIN-rail mounting and 4 DB9 serial connectors
- EtherNet/IP to Modbus TCP, Modbus TCP to EtherNet/IP, and Modbus to Modbus communications
- RS-232/422/485 software selectable interfaces
- Advanced Modbus gateway and routing capabilities
- Data Mapping sub-system and a built-in Modbus concentrator
- Web-based configuration
- NEMA TS2 Certified

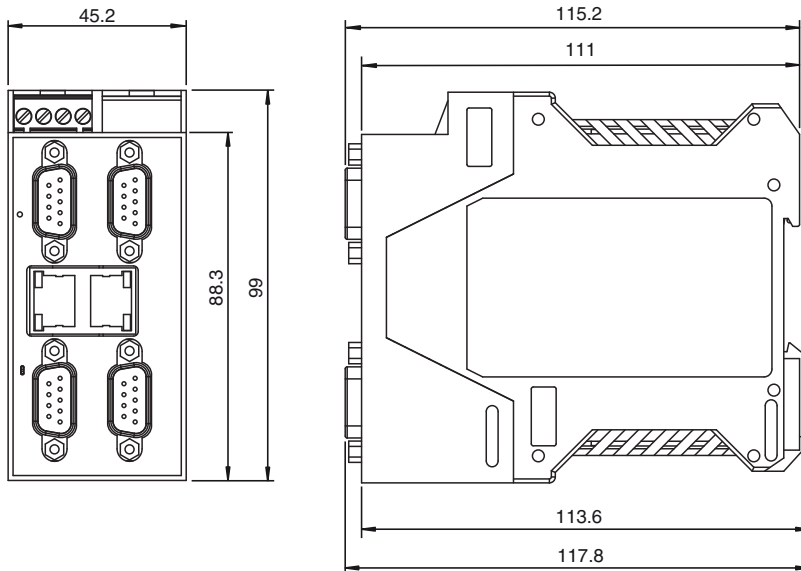
EtherNet/IP to Modbus Gateway 4-port DIN Rail Screw Terminal



Function

The ICDM-RX/EN1 gateway enables the connection of serial devices (RS-232 / RS-422 / RS-485) such as barcode scanners, RFID readers and weigh scales to both EtherNet/IP and Modbus networks. It combines an EtherNet/IP interface with a Modbus gateway functionality and a built-in programmable data mapping sub-system, that ties everything together and doubles as a Modbus concentrator. The embedded web pages provide extensive diagnostics, intuitive and flexible configuration options, secure interfaces and numerous maintenance options. The result is a highly flexible gateway that allows full integration of EtherNet/IP controllers into simple or complex Modbus networks. EtherNet/IP controllers such as PLCs, HMIs, SCADAs and OPC servers can communicate to almost any Modbus master or slave, either locally or remotely.

Dimensions



Technical Data

General specifications

UL File Number E360395

Functional safety related parameters

MTBF 42.3 a

Release date: 2021-03-31 Date of issue: 2021-03-31 Filename: 70114035_eng.pdf

Refer to "General Notes Relating to Pepperl+Fuchs Product Information".

Pepperl+Fuchs Group
www.pepperl-fuchs.com

USA: +1 330 486 0001
fa-info@us.pepperl-fuchs.com

Germany: +49 621 776 1111
fa-info@de.pepperl-fuchs.com

Singapore: +65 6779 9091
fa-info@sg.pepperl-fuchs.com

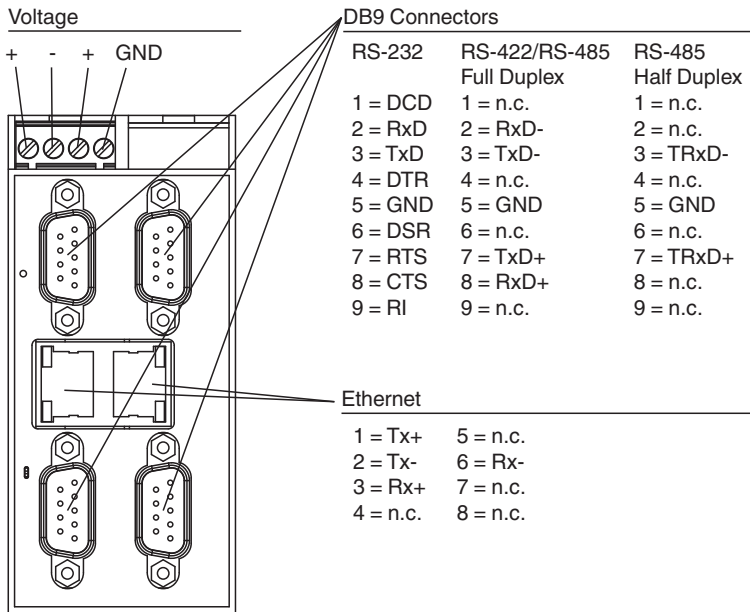
PEPPERL+FUCHS

Technical Data

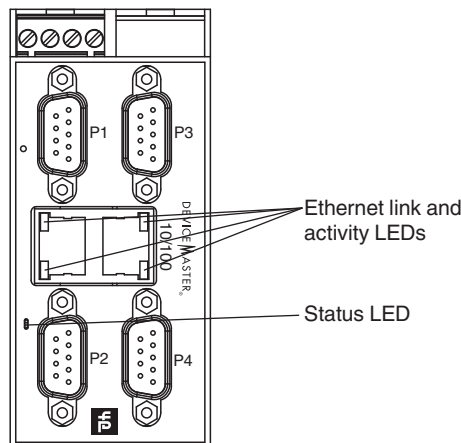
Indicators/operating means		
LED indication		see manual
Electrical specifications		
Rated operating voltage	U _e	5 ... 30 V DC
Nominal voltage		24 V DC
Interface		
Interface type		Software selectable interfaces: RS-232 , RS-422 , RS-485 (2 and 4-wire)
Physical		4 x DB9
Protocol		MODBUS
Supported baud rates		300 bps to 230Kbps
Interface 1		
Interface type		Industrial Ethernet
Physical		2 x RJ45
Protocol		EtherNet/IP
Additional protocols		ARP, BOOTP, DHCP/RARP, HTTP, HTTPS, SSH, SSL/TLS, ICMP, RFC 1006 (ISO over TCP), SNMP (MIB-II), TCP/IP & UDP socket services, Telnet, and TFTP, and supports IP multicast data transmission
Transfer rate		10/100 Mbps
Directive conformity		
Electromagnetic compatibility		
Directive 2014/30/EU		EN 61000-6-2 , EN 55024 , EN 61000-6-4 , EN 55032
Standard conformity		
Degree of protection		NEMA TS2
Electrical safety		CSA C22.2 No. 61010-1-12 / CSA C22.2 No. 61010-1-201 UL 61010-1 / UL 61010-1-201
Emitted interference		EN 61000-6-4, EN 55032, FCC Part 15 Subpart B, ICES-003, AS/NZS CISPR 32
Noise immunity		EN 61000-6-2 , EN 55024
Ambient conditions		
Ambient temperature		-40 ... 75 °C (-40 ... 167 °F)
Storage temperature		-40 ... 85 °C (-40 ... 185 °F)
Relative humidity		max. 95 %
Altitude		0 ... 3048 m
Mechanical specifications		
Housing length		116.8 mm
Housing width		45.7 mm
Housing height		99.1 mm
Degree of protection		IP20
Connection		Power Supply: screw terminals Fieldbus: 2 x RJ45 Inputs/outputs: 4 x DB9
Material		
Housing		Polyamide, UL94V-0
Mass		204g
Construction type		Cabinet module
Mounting		DIN mounting rail

Release date: 2021-03-31 Date of issue: 2021-03-31 Filename: 70114035_eng.pdf

Wiring Diagram



Assembly



Accessories

	V45-G-C5-GN1M-PUR-E1S	Ethernet bus cable male cordset single-ended RJ45, 4-pin, PUR cable green, Cat5e, shielded, UL approved, drag chain suitable
	V45-G-C5-GN3M-PUR-E1S	Ethernet bus cable male cordset single-ended RJ45, 4-pin, PUR cable green, Cat5e, shielded, UL approved, drag chain suitable
	V45-G-C5-GN10M-PUR-E1S	Ethernet bus cable male cordset single-ended RJ45, 4-pin, PUR cable green, Cat5e, shielded, UL approved, drag chain suitable
	V45-G-C5-GN1M-PUR-E1S-V45-G	Ethernet bus cable RJ45 to RJ45 PROFINET-coded, 4-pin, PUR cable green, Cat5e, shielded, UL approved, drag chain suitable
	V45-G-C5-GN3M-PUR-E1S-V45-G	Ethernet bus cable RJ45 to RJ45 PROFINET-coded, 4-pin, PUR cable green, Cat5e, shielded, UL approved, drag chain suitable
	V45-G-C5-GN10M-PUR-E1S-V45-G	Ethernet bus cable RJ45 to RJ45 PROFINET-coded, 4-pin, PUR cable green, Cat5e, shielded, UL approved, drag chain suitable

Release date: 2021-03-31 Date of issue: 2021-03-31 Filename: 70114035_eng.pdf

Accessories

	<p>V45-G-C5-GN20M-PUR-E1S-V45-G</p>	<p>Ethernet bus cable RJ45 to RJ45 PROFINET-coded, 4-pin, PUR cable green, Cat5e, shielded, UL approved, drag chain suitable</p>
---	--	--

Release date: 2021-03-31 Date of issue: 2021-03-31 Filename: 70114035_eng.pdf

Refer to "General Notes Relating to Pepperl+Fuchs Product Information".

Pepperl+Fuchs Group
www.pepperl-fuchs.com

USA: +1 330 486 0001
fa-info@us.pepperl-fuchs.com

Germany: +49 621 776 1111
fa-info@de.pepperl-fuchs.com

Singapore: +65 6779 9091
fa-info@sg.pepperl-fuchs.com