

Ethernet switch unmanaged

ICRL-U-5RJ45-DIN-NT



- Five - 10/100BASE-TX ports
- Rugged housing for use in harsh environments
- Alarm relay output for port event notifications
- Input power range of 18 to 32VDC
- Suitable for PROFINET IO and EtherNet/IP

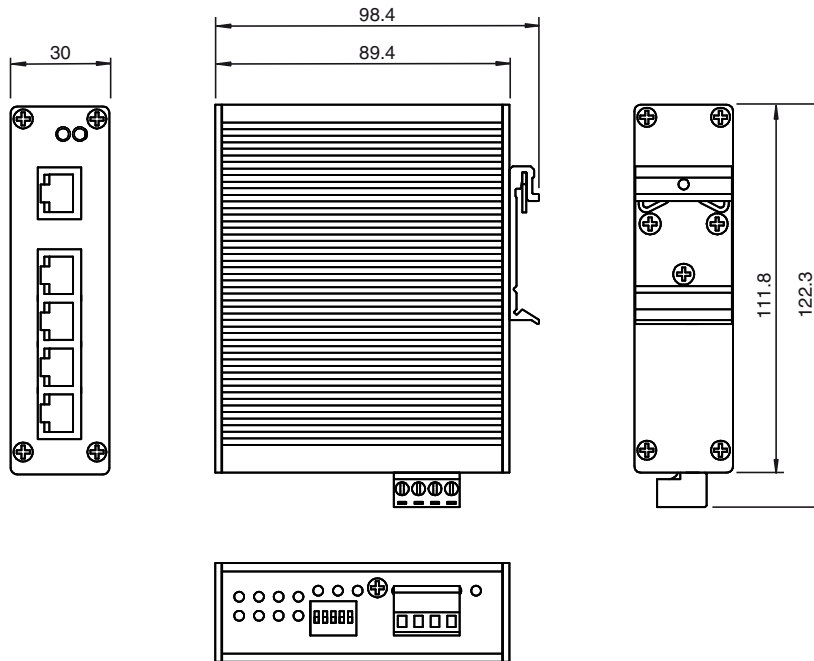
Ethernet unmanaged switch with 5 RJ45 ports and port alarm



Function

The ICRL-U-5RJ45-DIN-NT industrial Ethernet switch is used to build high performance Ethernet networks. The switch is designed for applications that require normal operating temperature range, rugged housings, high-performance communications, and reliable data transfer. This unmanaged switch provides a cost-effective solution for low-level field device connections without the need for complex configuration.

Dimensions



Technical Data

General specifications

UL File Number E185778

Functional safety related parameters

MTBF 93.4

Ethernet Interface

Release date: 2021-03-15 Date of issue: 2021-03-15 Filename: 70114052_eng.pdf

Refer to "General Notes Relating to Pepperl+Fuchs Product Information".

Pepperl+Fuchs Group
www.pepperl-fuchs.com

USA: +1 330 486 0001
fa-info@us.pepperl-fuchs.com

Germany: +49 621 776 1111
fa-info@de.pepperl-fuchs.com

Singapore: +65 6779 9091
fa-info@sg.pepperl-fuchs.com

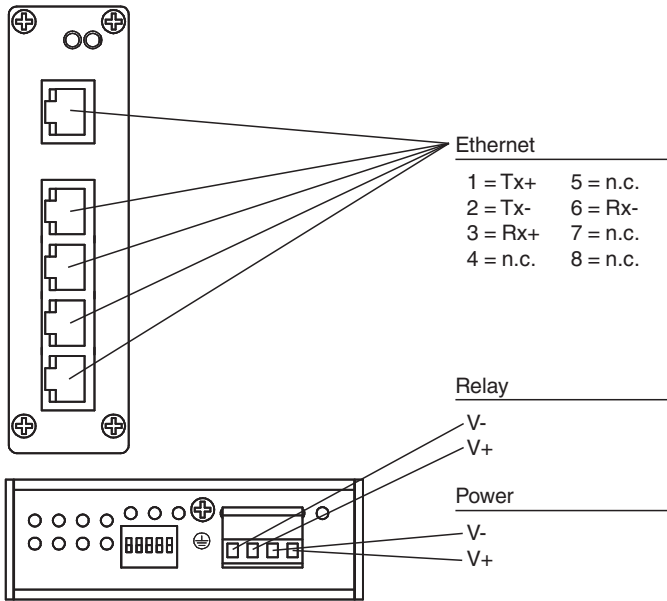
pf PEPPERL+FUCHS

Technical Data

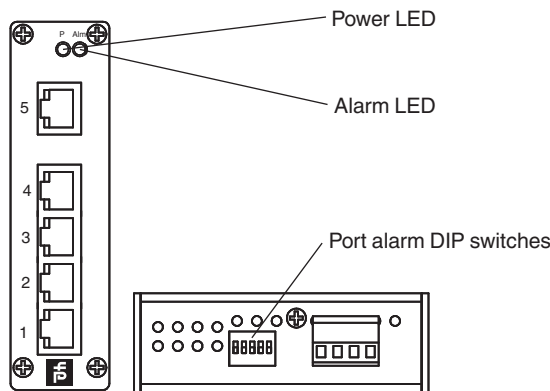
Auto-MDI(-X)		yes
Autonegotiation		yes
Ethernet Interface		Industrial Ethernet
Transfer rate		10BASE-T, 100BASE-TX
Cable type		Category 5e or better
Standards		
IEEE 802.3 10BASE-T		yes
IEEE 802.3u 100BASE-TX		yes
IEEE 802.3x Flow Control and Back-pressure		yes
Indicators/operating means		
LED indication		see manual
Electrical specifications		
Rated operating voltage	U _e	18 ... 32 V DC
Power consumption		3 W
General information		Port Failure, DIP switch enabled, Relay Rating, 1A Max. @ 24VDC
Nominal voltage		24 V DC
Current consumption		typ. 20 mA
Interface 1		
Physical		RJ45
Transfer rate		10/100 Mbps
Inputs/Outputs		
Number/Type		5 x RJ45
Directive conformity		
Electromagnetic compatibility		
Directive 2014/30/EU		EN61000-6-2, EN55024
Standard conformity		
Electrical safety		CSA C22.2 No. 60950 / CSA C22.2 No. 60950/UL60950
Emitted interference		EN 55032, FCC Part 15 Subpart B, ICES-003, AS/NZS CISPR 32
Noise immunity		EN 55024
Ambient conditions		
Ambient temperature		-25 ... 70 °C (-13 ... 158 °F)
Storage temperature		-40 ... 85 °C (-40 ... 185 °F)
Relative humidity		max. 95 %
Altitude		0 ... 3048 m
Mechanical specifications		
Degree of protection		IP30
Connection		Power Supply Terminal Block Ethernet 5 x RJ45
Material		
Housing		aluminium
Mass		295 g
Construction type		Cabinet module
Mounting		DIN rail or direct panel mounting

Release date: 2021-03-15 Date of issue: 2021-03-15 Filename: 70114052_eng.pdf

Wiring Diagram



Indication




Accessories

	V45-G-C5-GN1M-PUR-E1S	Ethernet bus cable male cordset single-ended RJ45, 4-pin, PUR cable green, Cat5e, shielded, UL approved, drag chain suitable
	V45-G-C5-GN3M-PUR-E1S	Ethernet bus cable male cordset single-ended RJ45, 4-pin, PUR cable green, Cat5e, shielded, UL approved, drag chain suitable
	V45-G-C5-GN10M-PUR-E1S	Ethernet bus cable male cordset single-ended RJ45, 4-pin, PUR cable green, Cat5e, shielded, UL approved, drag chain suitable
	V45-G-C5-GN1M-PUR-E1S-V45-G	Ethernet bus cable RJ45 to RJ45 PROFINET-coded, 4-pin, PUR cable green, Cat5e, shielded, UL approved, drag chain suitable
	V45-G-C5-GN3M-PUR-E1S-V45-G	Ethernet bus cable RJ45 to RJ45 PROFINET-coded, 4-pin, PUR cable green, Cat5e, shielded, UL approved, drag chain suitable
	V45-G-C5-GN10M-PUR-E1S-V45-G	Ethernet bus cable RJ45 to RJ45 PROFINET-coded, 4-pin, PUR cable green, Cat5e, shielded, UL approved, drag chain suitable

Release date: 2021-03-15 Date of issue: 2021-03-15 Filename: 70114052_eng.pdf

Refer to "General Notes Relating to Pepperl+Fuchs Product Information".

Accessories

	<p>V45-G-C5-GN20M-PUR-E1S-V45-G</p>	<p>Ethernet bus cable RJ45 to RJ45 PROFINET-coded, 4-pin, PUR cable green, Cat5e, shielded, UL approved, drag chain suitable</p>
---	--	--

Release date: 2021-03-15 Date of issue: 2021-03-15 Filename: 70114052_eng.pdf

Refer to "General Notes Relating to Pepperl+Fuchs Product Information".

Pepperl+Fuchs Group
www.pepperl-fuchs.com

USA: +1 330 486 0001
fa-info@us.pepperl-fuchs.com

Germany: +49 621 776 1111
fa-info@de.pepperl-fuchs.com

Singapore: +65 6779 9091
fa-info@sg.pepperl-fuchs.com