

Breakout Box

RocketPort® EXPRESS

ICRPB-16DB25F-PM

- RS-232/422/485 software selectable interfaces
- DB9 male connectors
- 15 KV surge protection
- Communication speeds up to 460 Kbps

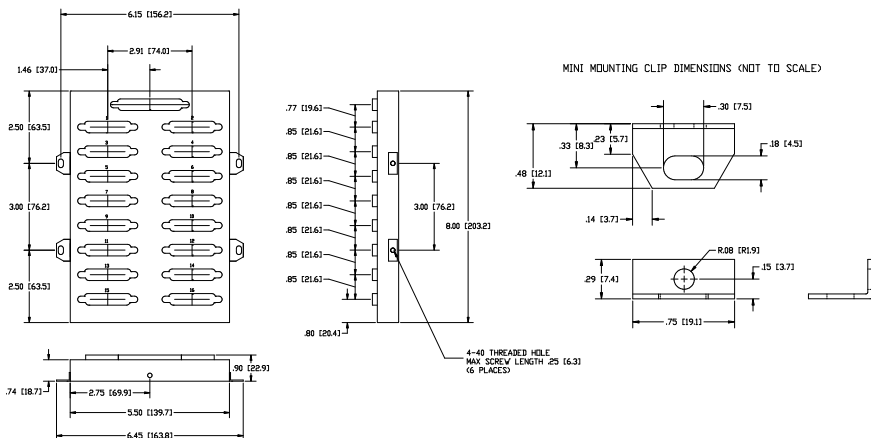
16 DB-25F connectors



Function

Flexible, reliable and high-speed serial port expansion. The RocketPort EXPRESS family comprises serial adapter cards compatible with systems supporting x1, x2, x4, x8, x12 or x16 PCI Express expansion slots. Cards are designed for standard and low-profile PCs and servers and ship with a low-profile and a standard-height bracket. All models feature software-selectable RS-232/422/485 serial communication at data transmission speeds up to 921 Kbps. Connection to serial devices are made utilizing RJ45, DB9 or DB25 fan-out cables or DB9 or DB25 interface boxes, depending on the selected model.

Dimensions



Technical Data

General specifications

UL File Number E185802

Functional safety related parameters

MTBF 65.9 a

Electrical specifications

Surge protection 15 KV / 200 A for 1 ns

Interface

Interface type Software selectable interfaces: RS-232 , RS-422 , RS-485

Physical 16 x DB-25

Supported baud rates 300 to 460.8 Kbps

Directive conformity

Electromagnetic compatibility

Release date: 2024-08-28 Date of issue: 2024-08-28 Filename: 70116475_eng.pdf

Refer to "General Notes Relating to Pepperl+Fuchs Product Information".

Pepperl+Fuchs Group
www.pepperl-fuchs.com

USA: +1 330 486 0001
fa-info@us.pepperl-fuchs.com

Germany: +49 621 776 1111
fa-info@de.pepperl-fuchs.com

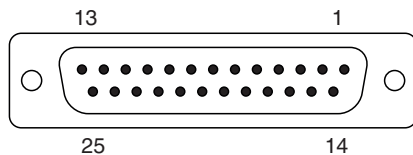
Singapore: +65 6779 9091
fa-info@sg.pepperl-fuchs.com

PF PEPPERL+FUCHS

Technical Data

Directive 2014/30/EU	EN 61000-4-2:2009 EN 61000-4-3:2006+A1:2008+A2:2010 EN 61000-4-4:2012 EN 61000-4-5:2014+A1:2017 EN 61000-4-6:2014 EN 61000-4-11:2004+A1:2017
RoHS	EN IEC 63000:2018
Standard conformity	
Electrical safety	CSA C22.2 No. 60950 / UL60950
Emitted interference	EN 55032:2015 FCC CFR 47, part 15, subpart B: 2017 ICES-003 AS/NZ5 CISPR 32, FCC Part 15 Subpart B Class A
Noise immunity	EN 55035:2017-07
Ambient conditions	
Ambient temperature	0 ... 60 °C (32 ... 140 °F)
Storage temperature	-20 ... 85 °C (-4 ... 185 °F)
Relative humidity	max. 95 % non-condensing
Altitude	0 ... 3048 m
Mechanical specifications	
Mass	822 g
Dimensions	
Height	22.9 mm
Width	139.7 mm
Length	203.2 mm
Construction type	Metal housing
Mounting	panel mount

Connection



Pin	Assignment			
	RS-232	RS-422	RS-485 Full Duplex	RS-485 Half Duplex
1	DCD	n.c.	n.c.	n.c.
2	RxD	RxD-	RxD-	n.c.
3	TxD	TxD-	TxD-	TRxD-
4	DTR	n.c.	n.c.	n.c.
5	SIG GND	SIG GND	SIG GND	SIG GND
6	DSR	n.c.	n.c.	n.c.
7	RTS	TxD+	TxD+	TRxD+
8	CTS	RxD+	RxD+	n.c.
9	RI	n.c.	n.c.	n.c.

Release date: 2024-08-28 Date of issue: 2024-08-28 Filename: 70116475_eng.pdf

Refer to "General Notes Relating to Pepperl+Fuchs Product Information".

Pepperl+Fuchs Group
www.pepperl-fuchs.com

USA: +1 330 486 0001
fa-info@us.pepperl-fuchs.com

Germany: +49 621 776 1111
fa-info@de.pepperl-fuchs.com

Singapore: +65 6779 9091
fa-info@sg.pepperl-fuchs.com

 PEPPERL+FUCHS