

+ QUICK START GUIDE



Model 422TTL

Four-channel RS-422/EIA-530
to TTL/5V Converter

Before you begin, be
sure you have the following:

- + 422TTL Port-Powered Converter
- + 12 VDC Power Supply (required, sold separately)

Recommended Accessories

12 VDC Power Supply, 6 W,
Int'l AC Input, 2.5mm Plug
SMI6-12-V-P230-C1



Serial Adapter Cable,
DB9F to DB25M, 6 in. (15 cm)
232CAMS



B+B SMARTWORX

Powered by

ADVANTECH

1-888-948-2248 | Europe: +353 91 792444
advantech-bb.com

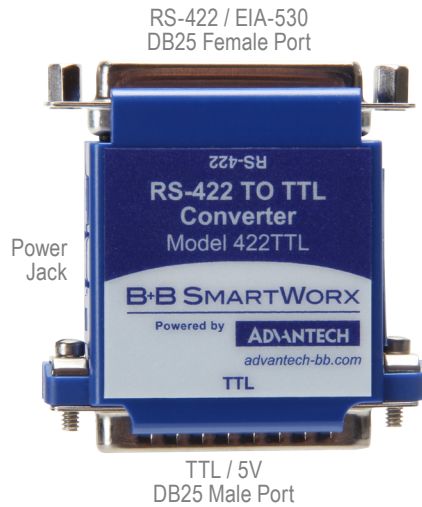
707 Dayton Road | PO Box 1040 | Ottawa, IL 61350
Phone: 815-433-5100 | Fax: 815-433-5109
www.advantech-bb.com | E-mail: support@advantech-bb.com

B+B SMARTWORX

Powered by

ADVANTECH

Product Overview



422TTL SPECIFICATIONS

Baud Rate	Up to 115.2 kbps
RS-422/ EIA-530 Signals	TDA(-), TDB(+), RDA (-), RDB (+), RTS A(-), RTS B(+), CTS A(-), CTS B(+)
TTL Signals	TD, RD, RTS, CTS
Power	Requires 12 VDC external power supply
MTBF	1539882 hours

1 Getting Started

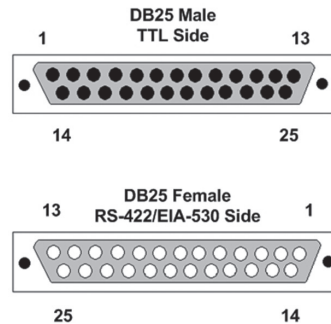
Model 422TTL converts RS-422 or EIA-530 signals to 5V TTL (“Transistor Transistor Logic”) at data rates up to 115.2 kbps. Two channels are used to convert RS-422 to TTL. Two channels are used to convert TTL to RS-422.

2 Pinouts

Pin 7 is signal ground for both connectors (see diagram below).

Open pads are provided for each line. If desired, you can change the pin connectors for any of the 4 channels.

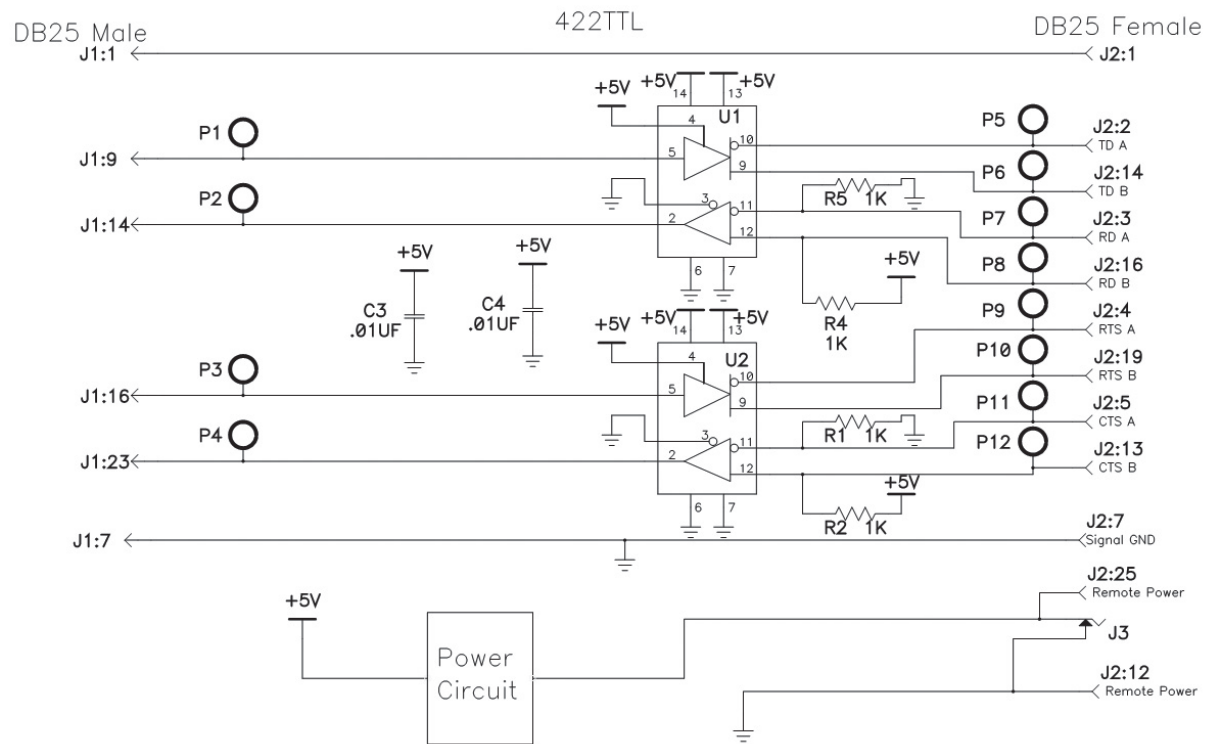
When converting a second RS-422 channel, use the corresponding RTS “A” and RTS “B” pins (see diagram below).



3 Polarity

Model 422TTL inverts the TTL signal. To determine polarity, refer to the table below .

Model 422TTL - Polarity (Volts)	
	RS-422 / EIA-530 Output
TTL Input	V(A) - V(B)
High	Negative
Low	Positive
	RS-422 / EIA-530 Input
TTL Output	V(A) - V(B)
High	Negative
Low	Positive



422TTL Schematic Diagram