

3 Troubleshooting

NOTE: Models BB-485USBTB-2W-A and BB-485USBTB2WLS-A cannot be used as RS-422 devices or as 4-wire RS-485.

One USB port is required for each installed device. The USB port can be native to the PC or it can be a USB port on a USB hub that is connected to a PC.

The device works with USB 1.1 or 2.0 ports. But, it has a maximum USB data rate of 12 Mbps.

1. To verify the installation, you may open the Windows Device Manager.
2. Scroll down to Ports.
3. Expand the flyout window.
4. You should see the new ports. If there are no exclamation points or other trouble indicators, the ports are installed correctly and ready for use.

Serialized Model/s

Every unit is assigned a unique COM port and the install process is required for every unit. Ideal application: fixed locations.

-LS- (Locked Serial Number) Model/s

Same type model numbers share the same COM port and require only one install process for each model type. Ideal for field service applications. (Locked Serial Number supported versions include "-LS-" in the model number).

Recommended Accessories

USB Cable – 1.8 m (6 ft)

Model# BB-USBAMBM-6F



4-Port Industrial USB Hub

Model# BB-UH104



QUICK START GUIDE



**BB-485USBTB-2W-A, BB-485USBTB-4W-A,
BB-485USBTB2WLS-A or BB-485USBTB4WLS-A**

USB to RS-485 Miniature Converter

**Before you begin, make sure
you have the following:**

- + USB to RS-485 Mini Converter:
Model BB-485USBTB-2W-A, BB-485USBTB-4W-A,
BB-485USBTB2WLS-A or BB-485USBTB4WLS-A
- + USB Cable, 1 m (3 ft), included

B+B SMARTWORX

Powered by

ADVANTECH

1 (888) 948-2248 | Europe: +353 91 792444

advantech-bb.com

707 Dayton Road | PO Box 1040 | Ottawa, IL 61350

Phone: (815) 433-5100 | Fax: (815) 433-5109

www.advantech-bb.com | E-mail: support@advantech-bb.com

B+B SMARTWORX

Powered by

ADVANTECH

Fast and easy on the web: www.advantech-bb.com

Product Overview



RS-485
Terminal
Block



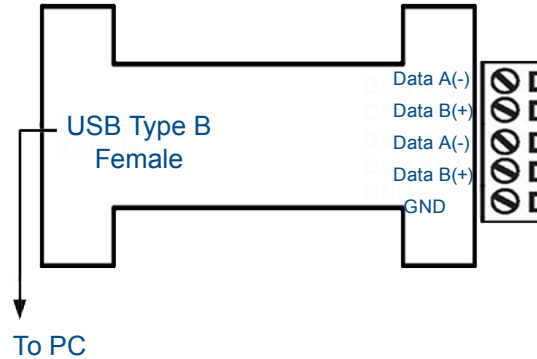
USB Type B
Female
High retention port

2 | Connect Your USB to RS-485 2-Wire or 4-Wire Converter

2-Wire Converters

Models BB-485USBTB-2W-A & BB-485USBTB2WLS-A

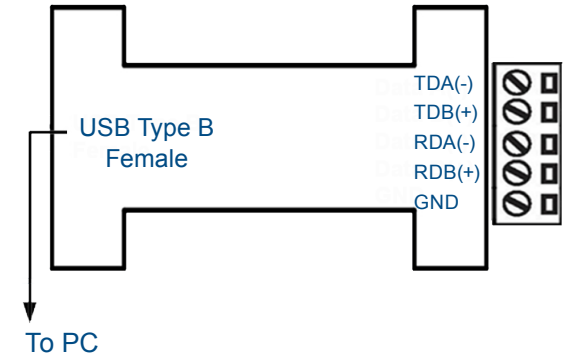
Connect the converter's USB port to a USB port on your computer or USB hub.



4-Wire Converters

Models BB-485USBTB-4W-A & BB-485USBTB4WLS-A

Connect the converter's USB port to a USB port on your computer or USB hub.



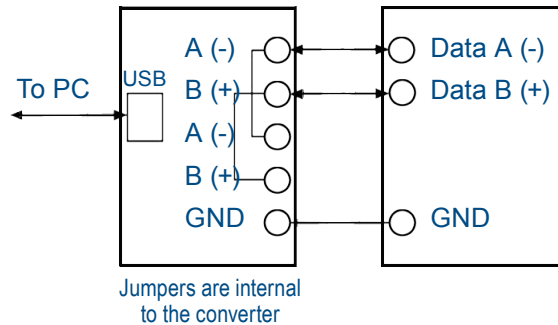
1 | Install the Drivers

When plugged in, Windows will find and install the FTDI Virtual COM (VCP) driver software. Be sure to enable Windows updates.

When installation is complete, the USB converter will appear in Windows Device Manager as an additional COM port.

If the computer you are installing this product on cannot access the internet, a driver package is available for download on the B+B SmartWorx webpage.

RS-485 2-Wire Device



RS-485 4-Wire Device

