

DEVICEMASTER® RTS 4-Port DB9

Part Number: 99445-9

KEY FEATURES AND BENEFITS

- No serial cable distance limitations enables communication between a host PC and serial devices located anywhere across an Ethernet network
- RS-232/422/485 software selectable
- Supports native COM, TTY, or TCP/IP Socket communication modes
- Web-based configuration makes setup and management changes quick and easy
- Rugged stainless steel housing enables DIN rail or panel mounting
- Temperature rated for extreme conditions (-37° to 74°C)
- PortVision® DX remote monitoring and management software
- Real-time e-mail event notification alerts administrator of potential connection and security issues
- NEMA TS2 compliant
- RoHS2 compliant under CE
- IPV6 support



PRODUCT DESCRIPTION

The Comtrol DeviceMaster RTS 4-Port DB9 is a four-port device server designed for network-enabling serial communications devices. When used with the included NS-Link™ driver software and a host PC, the DeviceMaster RTS enables placement of COM or TTY ports anywhere on an Ethernet network or across the Internet. In

applications where connecting legacy serial devices to a PC without software changes is a requirement, a pair of DeviceMaster RTS units can be used to create a point-to-point serial tunnel across the network that seamlessly transfers serial data via TCP or UDP socket connections.



DEVICEMASTER SPECIFICATIONS

HARDWARE

Bus Interface Specification	(2) 10/100 BASE-T
Processor	ARM7 44Mhz
Memory	
SD RAM	8MB
Flash	4MB
Enclosure	Black Finished Steel
Product Weight	4.47 lbs
	2.03 kg
Product Dimensions	10.8" x 1.5" x 6.3"
	27.43 x 3.81 x 16
Installation Method	Panel mountable
LED Indicators	
Status	
Ethernet Link/Activity	
Collision	
100MB Ethernet	
RX/TX Per Port	
Surge Protection	15KV

SERIAL COMMUNICATIONS

Software-Selectable	RS-232/422/485
Baud Rates	50 bps to 230 Kbps
Serial Connectors	(4) DB9 Male
Data Bits	7 or 8
Parity	Odd, Even, None
Stop Bits	1 or 2

ELECTRICAL SPECIFICATIONS

Device Requirements	9-30 VDC
Device Consumption	4.8 Watts
External Power Supply	(Included)
Input	
90 to 260 VAC @ 60Hz	
Output	
200mA @ 24 VDC	

ENVIRONMENTAL SPECIFICATIONS

Operating Temperature	-37° to 74°C
Storage Temperature	-40° to 85°C
Operating Humidity	5% to 95%
Altitude	0 to 10,000 Ft
	0 to 3,048 m
Heat Output	16.4 BTU/Hr
MTBF (Mean time between failures)	25.0 Years

DEVICE DRIVERS

Linux
 Microsoft® Windows® 7
 Microsoft® Windows® 2008 Server
 Microsoft® Windows® Vista
 Microsoft® Windows Server® 2003
 Microsoft® Windows® XP
 Microsoft® Windows NT® 4.0 (Legacy)
 Microsoft® Windows® 2000 (Legacy)

EXPORT INFORMATION

Packaged Shipping Weight	7.08lbs
	3.21 kg
Package Shipping Dimensions	14.9" x 4" x 10.9"
	37.85 x 10.16 x 27.69 cm
UPC Code	7-56727-99445-9
ECCN	5A992
Schedule B Number	8471.80.1000

REGULATORY STANDARDS

Immunity
 EN55024, EN61000-4-2, EN61000-4-3,
 EN61000-4-4, EN61000-4-5, EN61000-4-6,
 EN61000-4-8, EN61000-4-11, IEC 1000-4-2,
 IEC 1000-4-3, IEC 1000-4-4, IEC 1000-4-5,
 IEC 1000-4-6, IEC 1000-4-8, IEC 1000-4-11

Emission
 EN55022 & A1:2000 IEC 1000-3-2,
 IEC 1000-3-3, CISPR-22, ICES-003

Safety
 EN60950, IEC 60950,
 CSA C22.2 No. 50/UL60950

Other
 NEMA TS2 Certification
 RoHS2 compliant under CE

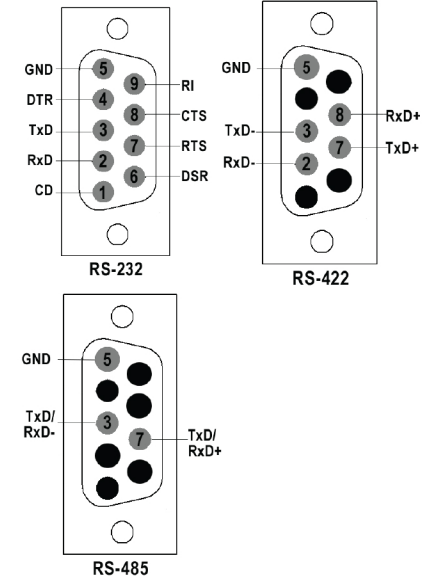
FEATURES

Lowest Latency
 NS-Link COM/TTY Port Redirector
 PortVision Remote Management
 TCP/IP & UDP Socket Services
 Telnet
 HTTP
 SNMP
 DHCP / RARP / ARP / BOOTP / Ping
 Hardware & Software Flow Control
 Watchdog Reset
 Event Notification
 RFC 1006
 Supports IP multicast data transmission

REGULATORY APPROVALS



PIN ASSIGNMENTS



RECOMMENDED PRODUCTS::

- 1200036** 24VDC External Power Adapter (24VDC, 24W, 3-Pin)
- 99160-1** DeviceMaster Rack Mount Shelf



Warranty Information
 Control offers a 30-day satisfaction guarantee and 5-year limited warranty.

Sales Support
 +1.763.957.6000
sales@comtrol.com

Technical Support
 +1.763.957.6000
www.comtrol.com/support

Email, FTP, and Web Support
info@comtrol.com
[ftp.comtrol.com](ftp://comtrol.com)
www.comtrol.com