

DeviceMaster® DM-2202

Part Number: 99480-0



KEY FEATURES AND BENEFITS

- DIN rail mounting and screw terminal connections
- Wide input DC voltage ranges (5-30 volts)
- Wide operating temperature ranges (-40° to 75° C)
- NEMA TS2 compliant
- 2 ports
- IPv6 support



PRODUCT DESCRIPTION

The DeviceMaster DM-2202 can be used to network-enable two serial devices on any Ethernet network and are ideal for applications in:

- Traffic and transportation;
- Industrial automation;
- Material handling; or
- Any project that requires serial-to-Ethernet communication with DIN rail-based equipment installations.

The DeviceMaster DM-2202 includes DIN-rail mounting and screw terminal connections for convenient installation. It offers both wide DC voltage ranges (5-30 volts) and wide operating temperature ranges (-37° to 74° C), so it operates reliably in a variety of challenging physical environments.

The DM-2202 is National Electrical Manufacturers Association (NEMA) TS2 compliant. It supports RS-232, RS-422 and RS-485 serial communications at standard baud rates from 300 bps to 230 Kbps. The DeviceMaster DM-2202 offers a single RJ45 jack with a 10/100 Ethernet connection to the network.

DEVICEMASTER SPECIFICATIONS

HARDWARE

Bus Interface Specification	10/100 BASE-T
Memory	
SDRAM	8 MB
Flash	4 MB
Enclosure	
UL94-V0 Plastic	
Installation Method	
Din Rail (35mm)	
LED Indicators	
Ethernet activity, ethernet link and status	
Enclosure Dimensions	
4.37" x 3.9" x 0.89"	
111 x 99 x 22.6 mm	
Product Weight	
4.6 oz	
130.41 g	

ELECTRICAL SPECIFICATIONS

DC Input Voltage	
5-30 V	
Current Consumption	+24 VDC
60 mA	
Power Consumption (max)	
1.5 W	
ESD Surge Protection (min)	
25KV _s	

ENVIRONMENTAL SPECIFICATIONS

Operating Temperature

-40 to 75°C

Storage Temperature

-40 to 85°C

Operating Humidity

Non-condensing

5% to 95%

Altitude

0 to 10000 Feet

Heat Output

5.0 BTU/Hr

Mean time between failures

58.57 Years

SERIAL COMMUNICATIONS

Connector Type

(2) Screw Terminal Blocks

Interface Standard

RS-232, RS-422, RS-485 Half-Duplex, RS-485

Full-Duplex

Baud Rates

300 bps to 230.4Kbps

Transmit Buffer

256 Bytes

Receive Buffer

1024 Bytes

Data Bits

7 or 8

Parity

odd, even or none

Stop Bits

1 or 2

Flow Control

Hardware, Software, None

ETHERNET SPECIFICATIONS

Network Protocols

ARP, BOOTP, DHCP, HTTP, ICMP, Ping, RARP, RFC 1006 (ISO over TCP), RFC 2217, SNMP (MIB-II), TCP/IP, Telnet, TFTP, and UDP socket services, supports IP multicast data transmission

Connector Type

1E
(1) RJ45F Auto MDI/MDI-X

EXPORT INFORMATION

Package Shipping Weight
1E 0.91 lbs
0.41 kg

Package Dimensions

9.25" x 2.5" x 7.25"
235 x 63.5 x 184.2 mm

UPC Code

7-56727-99480-0

Country of Origin

USA

ECCN

5A992

Schedule B Number

8471.80.1000

DEVICE DRIVERS

Linux
Microsoft® Windows® XP through Windows 10

REGULATORY STANDARDS

Emission

CANADIAN EMC REQUIREMENTS

ICES-003

European Standard EN55022

FCC PART 15 SUBPART B

CLASS A LIMIT

AS/NZS CISPR 22

Immunity

European Standard EN55024

IEC 1000-4-2/EN61000-4-2: ESD

IEC 1000-4-3/EN61000-4-3: RF

IEC 1000-4-4/EN61000-4-4: Fast Transient

IEC 1000-4-5/EN61000-4-5: Surge

IEC 1000-4-6/EN61000-4-6: Conducted

Disturbance

IEC 1000-4-8/EN61000-4-8: Magnetic Field

IEC 1000-4-11/EN61000-4-11: Dips and Voltage

Variations

Safety

IEC 60950/EN60950

CSA C22.2 No. 60950/UL60950 Third Edition

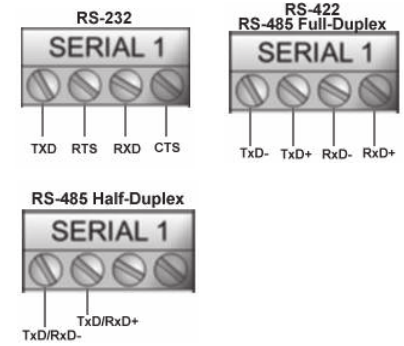
RoHS2 Compliance under CE

NEMA TS2 Compliant

REGULATORY APPROVAL MARKS



PIN ASSIGNMENTS



Warranty Information
Comtrol offers a 30-day satisfaction guarantee and 5-year limited warranty.

Sales Support
+1.763.957.6000
sales@comtrol.com

Technical Support
+1.763.957.6000
www.comtrol.com/support

Email, FTP, and Web Support
info@comtrol.com
ftp.comtrol.com
www.comtrol.com