

# DeviceMaster® DM-2304

Part Number: 99610-1



## KEY FEATURES AND BENEFITS

- DIN rail mounting
- Low profile, compact housing facilitates easy installation and mounting
- Wide DC input voltage range (5-30 volts)
- Redundant power input for fail-safe power
- Wide operating temperature range (-40° to 75°C)
- RS-232/422/485 software selectable interfaces
- Software selectable termination resistors for RS-232/422/485
- DB9 Male serial connectors
- Dual 10/100 Ethernet Ports
- Screw terminal power connector
- 25KV surge protection for serial ports
- Application compatibility supports native COM, TTY, or TCP/IP socket communication modes
- Web-based or Windows configuration makes setup and management changes quick and easy
- Real-time e-mail event notification alerts administrator of potential connection and security issues
- PortVision® DX for quick setup and remote management
- Security via SSL & SSH connections, SSL serial data stream encryption
- NEMA TS2 Certified



## PRODUCT DESCRIPTION

The DeviceMaster DM-2304 is the newest model in Pepperl+Fuchs Control's popular line of DeviceMaster serial device servers. This product can be used to network-enable four serial devices on any Ethernet network and are ideal for applications in:

- Traffic and Transportation
- Power Utility
- Industrial Automation
- Material Handling
- Any project that requires serial-to-Ethernet communication with DIN rail-based equipment installations

The DeviceMaster DM-2304 includes DIN-rail mounting and screw

terminal power connections for convenient installation. It offers both wide DC input voltage range (5-30 volts) and wide operating temperature range (-40° to 75°C), so it operates reliably in a variety of challenging physical environments. It provides redundant DC power input for fail-safe power.

The DeviceMaster DM-2304 is National Electrical Manufacturers Association (NEMA) TS2 compliant. With two Ethernet ports, you can daisy-chain or cascade devices together for a cleaner layout, a faster installation and a more cost-effective solution (no need for multiple Ethernet switches or star topology layouts).

The DeviceMaster DM supports software selectable RS-232, RS-422 and RS-485 serial communications at standard baud rates from 300bps to 230Kbps. Software selectable termination resistors also provided to enable easy and reliable installations.

# DEVICEMASTER SPECIFICATIONS

## HARDWARE

### Interface Specification

10/100BASE-T Ethernet

**Memory**  
SDRAM 32 MB  
Flash 8 MB

### Enclosure

UL94-V0 Plastic

**Installation Method**  
DIN Rail (35mm)

### LED Indicators

Status, Ethernet Port Link and Activity

### Enclosure Dimensions

4.6" x 3.9" x 1.8"  
116.8 x 99.1 x 45.7 cm

### Product Weight

0.45 lbs  
204.12 g

## ELECTRICAL SPECIFICATIONS

### DC Input Voltage

5-30 VDC

### Power Consumption (max)

3.0W

### Power Input Redundancy

Dual Redundant Power Input

### ESD Surge Protection

Provides minimum of 25KV protection for all serial lines. All Ethernet components are rated to 1.5KV magnetic surge protection.

## ENVIRONMENTAL SPECIFICATIONS

### Air Temperature

System On -40° to 75°C  
System Off -40° to 85°C

### Operating Humidity (Non-Condensing)

0% to 95%

**Altitude**  
0 to 10000 Feet  
0 to 3,048 m

### Mean time between failures

42.3 Years

## SERIAL COMMUNICATIONS

### Connector Type

DB9 Male

### Number of Ports

4

### Interface Standard

RS-232  
RS-422  
RS-485, 4-wire, Master  
RS-485, 4-wire, Slave  
RS-485, 2-wire

### Termination Resistor

Software controllable 120Ω termination resistors available for each transmit and receive differential pair on every port. The 120Ω termination resistors can be enabled between TX+ and TX- OR RX+ and RX- or both on every port

### Baud Rates

300 bps to 230Kbps

### Transmit Buffer

4.5KB

### Receive Buffer

4.5KB

### Data Bits \*

5, 6, 7 or 8

### Parity \*\*

odd, even, mark, space, or none

### Stop Bits \*\*\*

1, 1.5, or 2

### Flow Control

Hardware, Software, None

\* Data bits 5, 6: Supported only in RFC2217 and socket mode

\*\* Mark, Space parity: Supported only in RFC2217 and socket mode

\*\*\* Stop bit 1.5: Supported only when used with 5 data bits

## ETHERNET SPECIFICATIONS

### Number of Ports

2

### Speed

10/100Mbps

### Connector Type

(1) RJ45F Auto MDI/MDI-X

### LED

Ethernet Link (Green)  
Ethernet Activity (Amber)

### Ethernet Specific Features

Ethernet packet switching, Auto Negotiation, Link/Activity Status LED

### Network Protocols

ARP, BOOTP, DHCP/RARP, HTTP, HTTPS, SSH, SSL/TLS, ICMP, RFC 1006 (ISO over TCP), SNMP (MIB-II), TCP/IP & UDP socket services, Telnet, and TFTP, and supports IP multicast data transmission

## FEATURES

### SNMP Support

Monitoring Only

### Other Software Features

Lowest Latency  
NS-Link COM/TTY port redirector  
TCP/IP & UDP Socket Services  
Telnet/RFC2217 COM Port control  
PortVision DX remote management

### Manufacturer's Warranty

5 Years

## EXPORT INFORMATION

### Package Shipping Weight

0.85 lbs

386 g

### Package Dimensions

5-11/16" x 5-11/16" x 3-3/8"  
144.46 x 144.46 x 85.73mm

### UPC Code

7-56727-99610-1

### Country of Origin

USA

### ECCN

5A992

### Schedule B Number

8471.80.1000

## DEVICE DRIVERS

Linux

Microsoft® Windows® XP through Windows 10

## REGULATORY STANDARDS

### Emissions

FCC Part 15 Subpart B

Class A limit

Canadian EMC Requirements

ICES-003

European Standard EN61000-6-4

European Standard EN55022

AS/NZS CISPR 22

### Immunity

European Standard EN61000-6-2

European Standard EN55024:

IEC1000-4-2/EN61000-4-2: ESD

IEC1000-4-3/EN61000-4-3: RF

IEC1000-4-4/EN61000-4-4: Fast Transient/ Burst

IEC1000-4-5/EN61000-4-5: Surge

IEC1000-4-6/EN61000-4-6: Conducted Disturbance

IEC1000-4-8/EN61000-4-8: Magnetic Field

IEC1000-4-11/EN61000-4-11: Voltage Dips and Voltage

Variations

### Safety

UL 61010-1, UL 61010-2-201

CSA C22.2 No. 61010-1-12

CSA C22.2 No. 61010-2-201:14

### Other

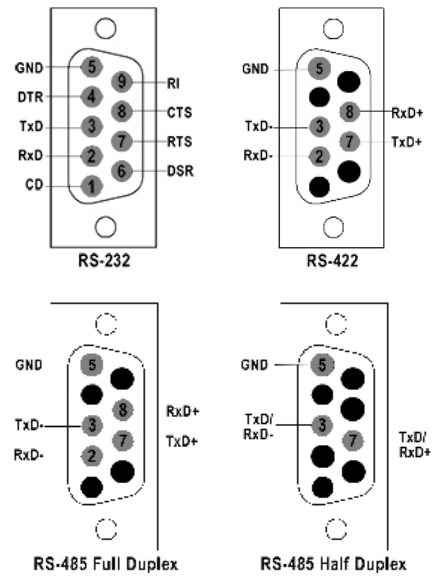
European Standard RoHS2 Certified

NEMA TS2

## REGULATORY APPROVALS



## PINOUT DIAGRAMS



### Warranty Information

Comtrol offers a 30-day satisfaction guarantee and 5-year limited warranty.

### Sales Support

+1.763.957.6000  
sales@comtrol.com

### Technical Support

+1.763.957.6000  
www.comtrol.com/support

### Email, FTP, and Web Support

info@comtrol.com  
ftp.comtrol.com  
www.comtrol.com