

RS-232 Data Taps

Models BB-9PCDT, BB-232CDT

ADVANTECH

www.advantech.com



BB-232CDT



BB-9PCDT

PRODUCT FEATURES

- Monitor and record serial data streams
- Easy to install, may be left in place
- Transparent connections
- No external power required

Tap in on a serial data stream and transparently feed another monitor, printer or other device.

Model **BB-9PCDT** allows an RS-232 port to tap into and check data being transmitted between two other RS-232 ports. DIP switches set programming to monitor the main Transmit and Receive lines individually or together. Choose between monitoring the DCE or DTE port. Also allows the monitoring port to be either DTE or DCE. The DTE connector is male, and DCE and TAP connectors are female.

Model **BB-232CDT** has DIP switches that allow you to monitor the main Transmit and Receive lines individually or together. The male RS-232 connector on the top and the female RS-232 connector on the bottom are connected straight through, pin for pin. These connectors are used to connect the device – in series – with the RS-232 line to be tapped.

ORDERING INFORMATION

MODEL NUMBER	STRAIGHT THROUGH CONNECTORS	MONITORING PORT
BB-9PCDT	(1) DB9 Male, (1) DB9 Female	DB9 Female
BB-232CDT	(1) DB25 Male, (2) DB25 Female	DB25 Female

ACCESSORIES – sold separately

BB-9PAMF6 - DB9 male to DB9 female cable, 1.8 m (6 ft)

BB-232AMF5 - DB25 male to DB25 female cable, 1.8 m (6 ft)

SPECIFICATIONS

SERIAL TECHNOLOGY	
RS-232	
BB-9PCDT	Straight-through Ports: (1) DB9 male, (1) DB9 female Monitoring Port: DB9 female
BB-232CDT	Straight-through Ports: (1) DB25 male, (2) DB25 female Monitoring Port: (1) DB25 female
Installation	In-line
MECHANICAL	
Weight	BB-9PCDT: 63.5 gm (0.14 lb) BB-232CDT: 90.7 gm (0.2 lbs)
ENVIRONMENTAL	
Operating Temperature	0 to +70 °C (+32 to +185 °F)
Storage Temperature	-40 to +85 °C (-40 to +185 °F)
Operating Humidity	0 to 95%, non-Condensing
MEANTIME BETWEEN FAILURES (MTBF)	
MTBF, 232CDT	1637197
Calculation Method	Parts Count Reliability Prediction
REGULATORY / APPROVALS / CERTIFICATIONS	
CE - Directives	2011/65/EU - Reduction of Hazardous Substances Directive (RoHS) 2012/19/EU - Waste Electrical and Electronic Equipment (WEEE) Note: EMC Directive 2014/30/EU, Section 12, states: "This Directive should not regulate equipment which is inherently benign in terms of electromagnetic compatibility." Thus, neither the EMC Directive nor emissions and immunity EMC standards apply to this product.
CE - Standards	

All product specifications are subject to change without notice.
9PCDT & 232CDT_1319ds

ADVANTECH

orders@advantech-bb.com |
eSales@advantech-bb.com

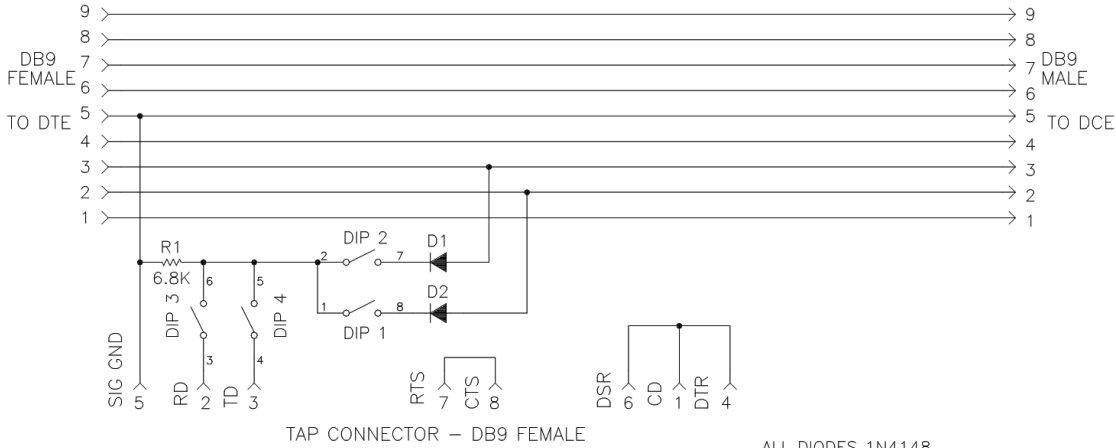
Headquarters: 707 Dayton Rd, PO Box 1040 Ottawa, IL 61350 USA (815)433-5100 or (800)346-3119/Toll Free Fax (815)433-5104
European Office: Westlink Commercial Pk, Oranmore Co. Galway Ireland +353 91 792444 Fax +353 91 792445

RS-232 Data Taps

Models BB-9PCDT, BB-232CDT

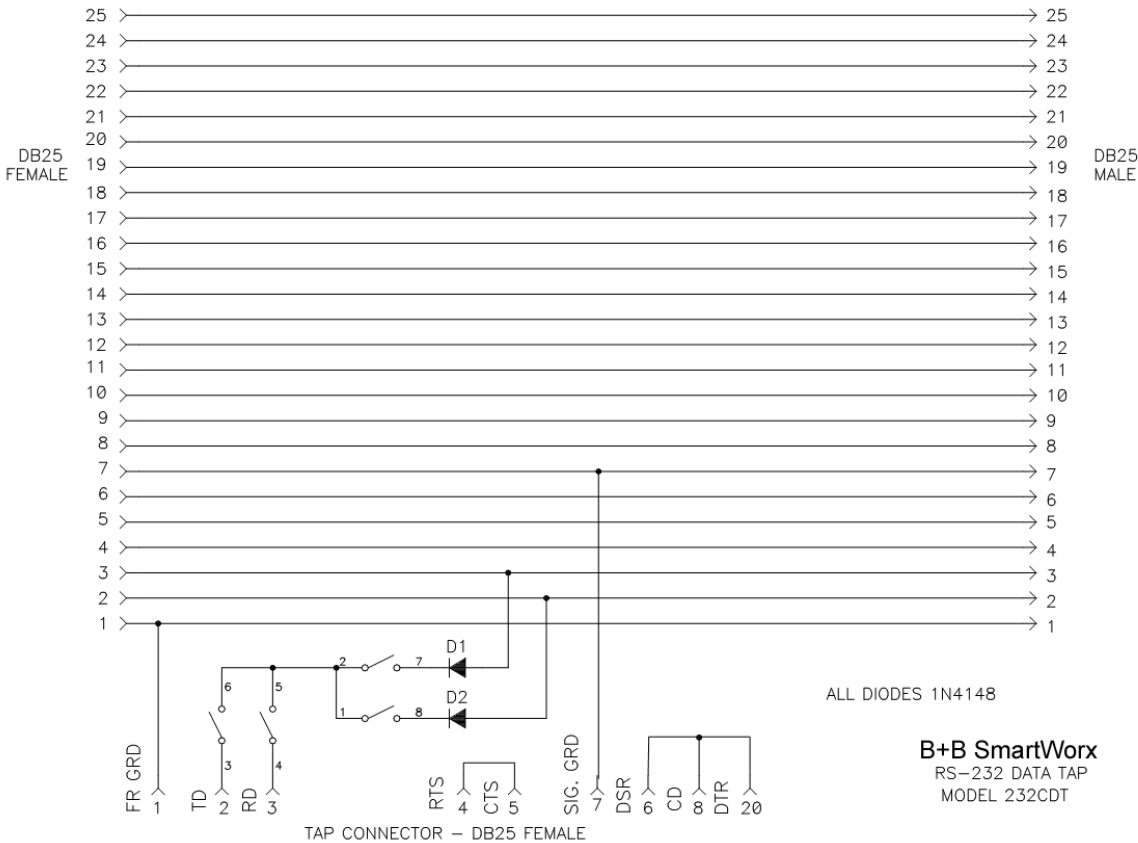


SCHEMATIC - BB-9PCDT



ALL DIODES 1N4148
 REV1-ADDED R1 FOR HIGHER BAUDRATE
 SUPPORT (UP TO 115.2K) NEWER PC HAD
 PROBLEM PULLING LINE DOWN OR TO -10V

SCHEMATIC - BB-232CDT



ALL DIODES 1N4148

B+B SmartWorx
 RS-232 DATA TAP
 MODEL 232CDT



orders@advantech-bb.com
 eSales@advantech-bb.com

Headquarters: 707 Dayton Rd, PO Box 1040 Ottawa, IL 61350 USA (815)433-5100 or (800)346-3119/Toll Free Fax (815)433-5104
 European Office: Westlink Commercial Pk, Oranmore Co. Galway Ireland +353 91 792444 Fax +353 91 792445