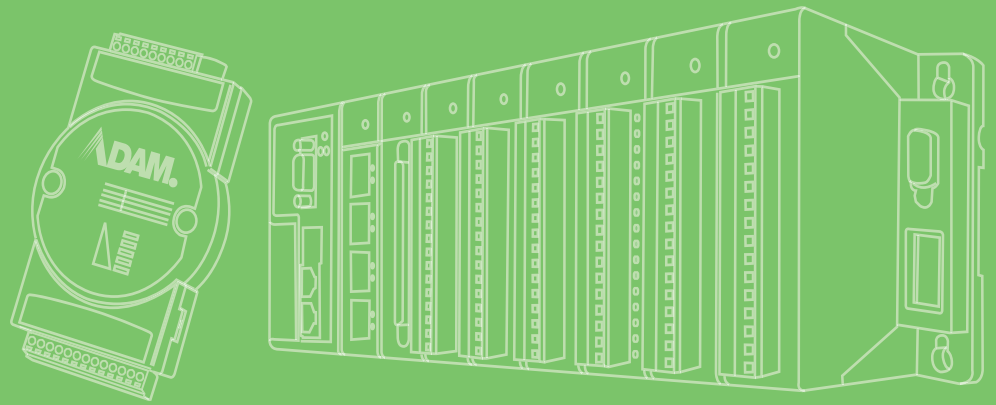


User Manual



# ADAM-5000 Series

## I/O Modules

**ADVANTECH**

*eAutomation*

---

## Copyright

The documentation and the software included with this product are copyrighted 2014 by Advantech Co., Ltd. All rights are reserved. Advantech Co., Ltd. reserves the right to make improvements in the products described in this manual at any time without notice. No part of this manual may be reproduced, copied, translated or transmitted in any form or by any means without the prior written permission of Advantech Co., Ltd. Information provided in this manual is intended to be accurate and reliable. However, Advantech Co., Ltd. assumes no responsibility for its use, nor for any infringements of the rights of third parties, which may result from its use.

## Acknowledgements

Intel and Pentium are trademarks of Intel Corporation.

Microsoft Windows and MS-DOS are registered trademarks of Microsoft Corp.

All other product names or trademarks are properties of their respective owners.

## Product Warranty (2 years)

Advantech warrants to you, the original purchaser, that each of its products will be free from defects in materials and workmanship for two years from the date of purchase.

This warranty does not apply to any products which have been repaired or altered by persons other than repair personnel authorized by Advantech, or which have been subject to misuse, abuse, accident or improper installation. Advantech assumes no liability under the terms of this warranty as a consequence of such events.

Because of Advantech's high quality-control standards and rigorous testing, most of our customers never need to use our repair service. If an Advantech product is defective, it will be repaired or replaced at no charge during the warranty period. For out-of-warranty repairs, you will be billed according to the cost of replacement materials, service time and freight. Please consult your dealer for more details.

If you think you have a defective product, follow these steps:

1. Collect all the information about the problem encountered. (For example, CPU speed, Advantech products used, other hardware and software used, etc.) Note anything abnormal and list any onscreen messages you get when the problem occurs.
2. Call your dealer and describe the problem. Please have your manual, product, and any helpful information readily available.
3. If your product is diagnosed as defective, obtain an RMA (return merchandise authorization) number from your dealer. This allows us to process your return more quickly.
4. Carefully pack the defective product, a fully-completed Repair and Replacement Order Card and a photocopy proof of purchase date (such as your sales receipt) in a shippable container. A product returned without proof of the purchase date is not eligible for warranty service.
5. Write the RMA number visibly on the outside of the package and ship it prepaid to your dealer.

Part No. XXXXXXXXXXXX

Printed in Taiwan

Edition 2

March 2014

# Declaration of Conformity

## CE

This product has passed the CE test for environmental specifications when shielded cables are used for external wiring. We recommend the use of shielded cables. This kind of cable is available from Advantech. Please contact your local supplier for ordering information.

## FCC Class A

Note: This equipment has been tested and found to comply with the limits for a Class A digital device, pursuant to part 15 of the FCC Rules. These limits are designed to provide reasonable protection against harmful interference when the equipment is operated in a commercial environment. This equipment generates, uses, and can radiate radio frequency energy and, if not installed and used in accordance with the instruction manual, may cause harmful interference to radio communications. Operation of this equipment in a residential area is likely to cause harmful interference in which case the user will be required to correct the interference at his own expense.

## FM

This equipment has passed the FM certification. According to the National Fire Protection Association, work sites are classified into different classes, divisions and groups, based on hazard considerations. This equipment is compliant with the specifications of Class I, Division 2, Groups A, B, C and D indoor hazards.

# Technical Support and Assistance

1. Visit the Advantech web site at [www.advantech.com/support](http://www.advantech.com/support) where you can find the latest information about the product.
2. Contact your distributor, sales representative, or Advantech's customer service center for technical support if you need additional assistance. Please have the following information ready before you call:
  - Product name and serial number
  - Description of your peripheral attachments
  - Description of your software (OS, version, application software, etc.)
  - A complete description of the problem
  - The exact wording of any error messages

# Safety Precaution - Static Electricity

Follow these simple precautions to protect yourself from harm and the products from damage.

- To avoid electrical shock, always disconnect the power from your PC chassis before you work on it. Don't touch any components on the CPU card or other cards while the PC is on.

Disconnect power before making any configuration changes. The sudden rush of power as you connect a jumper or install a card may damage sensitive electronic components.

---

## Safety Instructions

1. Read these safety instructions carefully.
2. Keep this User Manual for later reference.
3. Disconnect this equipment from any AC outlet before cleaning. Use a damp cloth. Do not use liquid or spray detergents for cleaning.
4. For plug-in equipment, the power outlet socket must be located near the equipment and must be easily accessible.
5. Keep this equipment away from humidity.
6. Put this equipment on a reliable surface during installation. Dropping it or letting it fall may cause damage.
7. The openings on the enclosure are for air convection. Protect the equipment from overheating. **DO NOT COVER THE OPENINGS.**
8. Make sure the voltage of the power source is correct before connecting the equipment to the power outlet.
9. Position the power cord so that people cannot step on it. Do not place anything over the power cord.
10. All cautions and warnings on the equipment should be noted.
11. If the equipment is not used for a long time, disconnect it from the power source to avoid damage by transient overvoltage.
12. Never pour any liquid into an opening. This may cause fire or electrical shock.
13. Never open the equipment. For safety reasons, the equipment should be opened only by qualified service personnel.
14. If one of the following situations arises, get the equipment checked by service personnel:
  15. The power cord or plug is damaged.
  16. Liquid has penetrated into the equipment.
  17. The equipment has been exposed to moisture.
  18. The equipment does not work well, or you cannot get it to work according to the user's manual.
  19. The equipment has been dropped and damaged.
  20. The equipment has obvious signs of breakage.
21. **DO NOT LEAVE THIS EQUIPMENT IN AN ENVIRONMENT WHERE THE STORAGE TEMPERATURE MAY GO BELOW -20° C (-4° F) OR ABOVE 60° C (140° F). THIS COULD DAMAGE THE EQUIPMENT. THE EQUIPMENT SHOULD BE IN A CONTROLLED ENVIRONMENT.**
22. **CAUTION: DANGER OF EXPLOSION IF BATTERY IS INCORRECTLY REPLACED. REPLACE ONLY WITH THE SAME OR EQUIVALENT TYPE RECOMMENDED BY THE MANUFACTURER, DISCARD USED BATTERIES ACCORDING TO THE MANUFACTURER'S INSTRUCTIONS.**
23. The sound pressure level at the operator's position according to IEC 704-1:1982 is no more than 70 dB (A).

**DISCLAIMER:** This set of instructions is given according to IEC 704-1. Advantech disclaims all responsibility for the accuracy of any statements contained herein.

<b>Chapter 1</b>	<b>Overview.....</b>	<b>1</b>
1.1	Introduction .....	2
	Table 1.1: Supported I/O Module List.....	2
1.2	Analog Input Modules .....	3
1.2.1	ADAM-5013 3-ch RTD Input Module .....	3
	Figure 1.1 ADAM-5013 Module Front View .....	3
	Figure 1.2 RTD Inputs .....	4
	Table 1.2: Technical Specifications of ADAM-5013 .....	4
	Figure 1.3 Applying Calibration Resistance.....	5
	Table 1.3: Calibration Resistances of ADAM-5013 .....	5
1.2.2	ADAM-5017 8-ch Analog Input Module .....	6
	Figure 1.4 ADAM-5017 Module Front View .....	6
	Figure 1.5 Millivolt and Volt Input.....	6
	Figure 1.6 Process Current Input.....	6
	Table 1.4: Technical Specifications of ADAM-5017 .....	7
	Figure 1.7 Locations of Jumpers .....	7
1.2.3	ADAM-5017P .....	8
	Figure 1.8 ADAM-5017P Module Front View.....	8
	Figure 1.9 Millivolt and Volt Input.....	8
	Figure 1.10 Process Current Input.....	8
	Table 1.5: Technical Specifications of ADAM-5017P .....	9
1.2.4	ADAM-5017H 8-ch High Speed Analog Input Module .....	10
	Figure 1.11 ADAM-5017H Module Front View .....	10
	Figure 1.12 Millivolt and Volt Input.....	10
	Figure 1.13 Process Current Input.....	10
	Figure 1.14 Locations of Jumpers .....	11
	Table 1.6: Technical Specifications of ADAM-5017H.....	11
	Table 1.7: ADAM-5017H Input Signal Ranges .....	12
1.2.5	ADAM-5017UH 8-ch Ultra High Speed Analog Input Module .....	13
	Figure 1.15 ADAM-5017UH Module Front View .....	13
	Figure 1.16 Millivolt and Volt Input.....	13
	Figure 1.17 Process Current Input.....	13
	Figure 1.18 Locations of RC Filter Jumper Setting .....	14
	Figure 1.19 Locations of RC Filter Jumper Setting .....	14
	Table 1.8: Technical Specifications of ADAM-5017UH .....	15
	Table 1.9: ADAM-5017UH Input Signal Ranges .....	15
1.2.6	ADAM-5018 7-ch Thermocouple Input Module.....	16
	Figure 1.20 ADAM-5018 Module Front View .....	16
	Figure 1.21 Thermocouple Input.....	16
	Table 1.10: Technical Specifications of ADAM-5018 .....	17
	Table 1.11: ADAM-5018 Range Accuracy for Thermocouple ....	17
1.2.7	ADAM-5018P 7-ch Thermocouple Input Module .....	18
	Figure 1.22 ADAM-5018P Module Front View.....	18
	Figure 1.23 Thermocouple Input.....	18
	Table 1.12: Technical Specifications of ADAM-5018P .....	19
<b>Chapter 2</b>	<b>Analog Output Modules .....</b>	<b>21</b>
2.1	Analog Output Modules.....	22
2.1.1	ADAM-5024 4-ch Analog Output Module.....	22
	Figure 2.1 ADAM-5024 Module Frontal View .....	22
	Figure 2.2 Analog Output.....	22
	Table 2.1: Technical Specifications of ADAM-5024 .....	23
<b>Chapter 3</b>	<b>Analog I/O Module Calibration .....</b>	<b>25</b>
3.1	Analog I/O Module Calibration .....	26

3.1.1	Analog Input Module Calibration.....	26
	Figure 3.1 Applying Calibration Voltage .....	26
	Figure 3.2 Zero Calibration.....	26
	Figure 3.3 Span Calibration.....	27
	Figure 3.4 Cold Junction Calibration .....	27
	Table 3.1: Calibration Voltage of ADAM-5017/5018 .....	28
	Table 3.2: Calibration Voltage (ADAM-5017H) .....	28
	Table 3.3: Calibration Voltage of ADAM-5018P .....	29
	Table 3.4: Calibration Voltage of ADAM-5017UH .....	29
3.1.2	Analog Output Module Calibration.....	30
	Figure 3.5 Output Module Calibration.....	30

## Chapter 4 Digital Input/Output Modules ..... 31

4.1	Digital Input/Output Modules.....	32
4.1.1	ADAM-5050 16-ch Universal Digital I/O Module.....	32
	Figure 4.1 DIP Switch Setting for Digital I/O Channel .....	32
	Figure 4.2 ADAM-5050 Module Frontal View .....	32
	Figure 4.3 Dry Contact Signal Input (ADAM-5050) .....	33
	Figure 4.4 Wet Contact Signal Input (ADAM-5050).....	33
	Figure 4.5 Digital Output with SSR (ADAM-5050/5056).....	33
	Table 4.1: Technical Specifications of ADAM-5050 .....	34
4.1.2	ADAM-5051(D) 16-ch Digital Input Module .....	34
	Figure 4.6 ADAM-5051 Module Frontal View .....	34
	Figure 4.7 TTL Input (ADAM-5051/5051D) .....	35
	Figure 4.8 Contact Closure Input (ADAM-5051/5051D).....	35
	Table 4.2: Technical Specifications of ADAM-5051/5051D.....	36
4.1.3	ADAM-5051S 16-ch Isolated Digital Input Module with LED .....	36
	Figure 4.9 ADAM-5051S Module Front View .....	36
	Figure 4.10 ADAM-5051S Module Wiring Diagram.....	37
	Table 4.3: Technical Specifications of ADAM-5051S .....	37
4.1.4	ADAM-5052 8-ch Isolated Digital Input Module.....	38
	Figure 4.11 ADAM-5052 Module Front View.....	38
	Figure 4.12 Isolation Digital Input (ADAM-5052).....	38
	Table 4.4: Technical Specifications of ADAM-5052 .....	38
4.1.5	ADAM-5053S 32-ch Isolated Digital Input Module .....	39
	Figure 4.13 ADAM-5053S Module Front View .....	39
	Figure 4.14 ADAM-5053S Module Wiring Diagram.....	39
	Table 4.5: ADAM-5053S Technical Specifications.....	39
4.1.6	ADAM-5055S 16-ch Isolated Digital I/O Module with LED .....	40
	Figure 4.15 ADAM-5055S Module Front View .....	40
	Figure 4.16 ADAM-5055S Module Wiring Diagram.....	40
	Table 4.6: Technical Specifications of ADAM-5055S .....	41
4.1.7	ADAM-5056(D) 16-ch Digital Output Module w/LED .....	41
	Figure 4.17 ADAM-5056 Module Frontal View .....	41
	Figure 4.18 Digital Output with SSR (ADAM-5050/5056).....	42
	Table 4.7: Technical Specifications of ADAM-5056 .....	42
4.1.8	ADAM-5056S 16-ch Isolated Digital Output Module with LED ...	43
	Figure 4.19 ADAM-5056S Module Front View .....	43
	Figure 4.20 ADAM-5056S Module Wiring Diagram.....	43
	Table 4.8: Technical Specifications of ADAM-5056S .....	44
4.1.9	ADAM-5056SO 16-ch Isolated Digital Output Module with LED	44
	Figure 4.21 ADAM-5056SO Module Front View.....	44
	Figure 4.22 ADAM-5056SO Module Wiring Diagram .....	45
	Table 4.9: Technical Specifications of ADAM-5056SO .....	45
4.1.10	ADAM-5057S 32-ch Isolated Digital Output Module.....	46
	Figure 4.23 ADAM-5057S Module Front View .....	46
	Figure 4.24 ADAM-5057S Module Wiring Diagram.....	46
	Table 4.10: ADAM-5057S Technical Specification.....	46

<b>Chapter 5</b>	<b>Relay Output Modules.....</b>	<b>47</b>
5.1	Relay Output Modules.....	48
5.1.1	ADAM-5060 Relay Output Module.....	48
	Figure 5.1 ADAM-5060 Module Frontal View .....	48
	Figure 5.2 Relay Output.....	48
	Table 5.1: Technical Specifications of ADAM-5060 .....	48
	Figure 5.3 ADAM-5068 Module Front View .....	49
	Figure 5.4 Relay Output.....	49
	Table 5.2: Technical Specifications of ADAM-5068 .....	49
	Figure 5.5 ADAM-5069 Module Front View Wiring.....	50
<b>Chapter 6</b>	<b>Counter/Frequency Modules .....</b>	<b>51</b>
6.1	Counter/Frequency Modules.....	52
6.1.1	ADAM-5080 4-ch Counter/Frequency Module.....	52
	Figure 6.1 ADAM-5080 Module .....	53
	Figure 6.2 Isolated Input Level .....	53
	Figure 6.3 TTL Input Level.....	53
	Figure 6.4 Counter / Frequency Mode.....	54
	Figure 6.5 Wiring for Up/Down Counting .....	55
	Figure 6.6 Wiring for Bi-direction Counting.....	55
	Figure 6.7 Wiring for Frequency Mode .....	56
	Figure 6.8 Setting Alarm Limit .....	56
	Figure 6.9 Sending Alarm Signal (Recommended Settings) .....	57
	Figure 6.10 Sending Alarm Signal (Not Recommended).....	57
	Figure 6.11 Digital Output Mapping .....	58
	Figure 6.12 Jumper Location on the ADAM-5080 Module.....	59
	Figure 6.13 TTL/Isolated Input Level Selection .....	59
	Table 6.1: ADAM-5080 Technical Specifications .....	59
	Figure 6.14 Counter / Frequency Mode.....	60
	Figure 6.15 Wiring for Up/Down Counting .....	61
	Figure 6.16 Wiring for Bi-direction Counting.....	61
	Figure 6.17 Wiring for Frequency Mode .....	62
	Figure 6.18 Setting Alarm Limit .....	62
	Figure 6.19 Sending Alarm Signal (Recommended Settings) .....	63
	Figure 6.20 Sending Alarm Signal (Not Recommended).....	63
	Figure 6.21 Digital Output Mapping .....	64
	Figure 6.22 Jumper Location on the ADAM-5081 Module.....	65
	Figure 6.23 TTL/Isolated Input Level Select.....	65
	Table 6.2: ADAM-5081 Technical Specifications .....	65
<b>Chapter 7</b>	<b>Serial Modules .....</b>	<b>67</b>
7.1	Serial Modules .....	68
7.1.1	ADAM-5090 4-port RS-232 Communication Module .....	68
	Table 7.1: Baud Rate Settings.....	68
	Figure 7.1 ADAM-5090 Module .....	68
	Figure 7.2 ADAM-5090 Application Wiring .....	69
	Table 7.2: Pin Mapping.....	69
	Table 7.3: ADAM-5090 Technical Specifications .....	69
	Figure 7.3 Jumper Locations on the CPU Card.....	70
	Figure 7.4 Jumper Settings.....	70
7.1.2	ADAM-5091 4-port RS-232 Communication Module .....	73
	Table 7.4: Baud Rate Settings.....	73
	Figure 7.5 ADAM-5091 Module .....	73
	Figure 7.6 ADAM-5091 Application Wiring .....	74
	Table 7.5: PIN Mapping.....	74

---

Table 7.6: ADAM-5091 Technical Specifications ..... 74

**Chapter 8 Storage Modules ..... 77**

8.1 Storage Modules..... 78  
8.1.1 Compatible ADAM-5000 Series Main Units..... 78  
Figure 8.1 ADAM-5030 Module Frontal View..... 78  
Table 8.1: Technical Specifications of ADAM-5030 ..... 78

**Chapter 9 Motion Modules..... 79**

9.1 Motion Modules..... 80  
9.1.1 ADAM-5202 4-port AMONet Master Module ..... 80  
Figure 9.1 ADAM-5202 Module Front View..... 80  
Table 9.1: Technical Specifications of ADAM-5202 ..... 80



# Chapter 1

Overview

## 1.1 Introduction

This manual will discuss in detail the specifications, functions and application wiring of the ADAM-5000 series of I/O modules. To organize an ADAM-5510 Series Controller, you need to select I/O modules to interface the main unit with field devices or processes that you have previously determined. Advantech provides 23 types of ADAM-5000 I/O modules for various applications so far. Following table is the I/O modules support list we provided for user's choice.

**Table 1.1: Supported I/O Module List**

Module	Name	Specification	Reference
Analog I/O	ADAM-5013	3-ch RTD input	Isolated
	ADAM-5017	8-ch AI	Isolated
	ADAM-5017P	8-ch AI with independent Input	Isolated
	ADAM-5017H	8-ch High-speed AI	Isolated
	ADAM-5017UH	8-ch Ultra High-speed AI	Isolated
	ADAM-5018	7-ch Thermocouple input	Isolated
	ADAM-5018P	7-ch Thermocouple input with independent Input	Isolated
	ADAM-5024	4-ch AO	Isolated
Digital I/O	ADAM-5050	7-ch DI/O	Non-isolated
	ADAM-5051	16-ch DI	Non-isolated
	ADAM-5051D	16-ch DI w/LED	Non-isolated
	ADAM-5051S	16-ch Isolated DI w/LED	Isolated
	ADAM-5052	8-ch DI	Isolated
	ADAM-5053S	32-ch Isolated DI	Isolated
	ADAM-5055S	16-ch. Isolated DI/O w/LED	Isolated
	ADAM-5056	16-ch DO	Non-isolated
	ADAM-5056D	16-ch DO w/LED	Non-isolated
	ADAM-5056S	16-ch Isolated DO w/LED	Isolated
	ADAM-5056SO	16-ch Iso. DO w/LED (source)	Isolated
	ADAM-5057S	32-ch Isolated DO	Isolated
	Relay Output	ADAM-5060	6-ch. Relay output
ADAM-5068		8-ch Relay output	Isolated
ADAM-5069		8-ch Relay output	Isolated
Counter/ Frequency	ADAM-5080	4-ch Counter/Frequency	Isolated
	ADAM-5081	4-ch High Speed Counter/Frequency	Isolated
Serial I/O	ADAM-5090	4-port RS232	Non-isolated
	ADAM-5091	4-port RS232 with Share Interrupt	Non-isolated
Storage	ADAM-5030	2-slot SD Storage Module	
Motion	ADAM-5202	2-port AMONet Master Module	

## 1.2 Analog Input Modules

Analog input modules use an A/D converter to convert sensor voltage, current, thermocouple or RTD signals into digital data. The digital data is then translated into engineering units. The analog input modules protect your equipment from ground loops and power surges by providing opto-isolation of the A/D input and transformer based isolation up to 3,000 V<sub>DC</sub>.

### 1.2.1 ADAM-5013 3-ch RTD Input Module

The ADAM-5013 is a 16-bit, 3-channel RTD input module that features programmable input ranges on all channels. This module is an extremely cost-effective solution for industrial measurement and monitoring applications. Its opto-isolated inputs provide 3,000 V<sub>DC</sub> of isolation between the analog input and the module, protecting the module and peripherals from damage due to high input line voltage.

**Note!** *Due to the conversion time required by the A/D converter, the initialization time of each ADAM-5013 module is 5 seconds. Thus the total initialization time will be about 20 seconds if all 4 I/O slots in an ADAM-5000 main unit contain ADAM-5013 modules.*

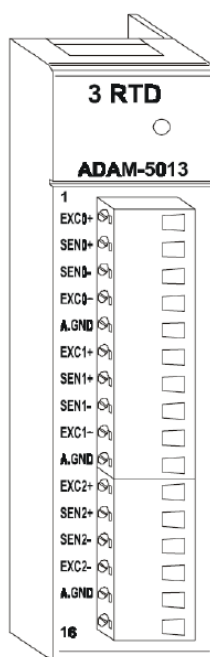


Figure 1.1 ADAM-5013 Module Front View

## Application Wiring

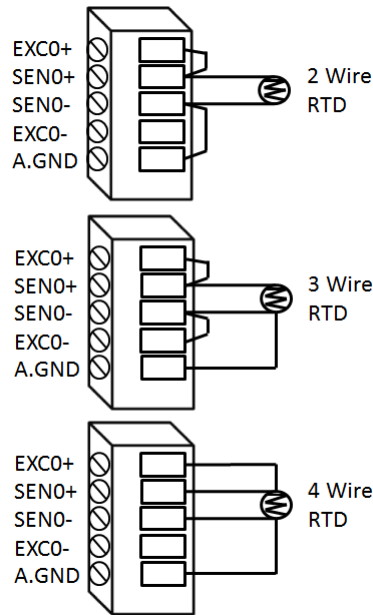


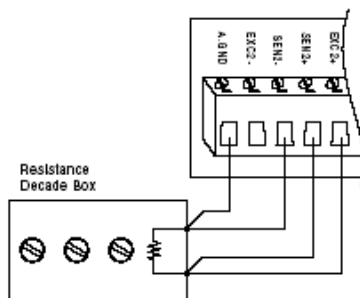
Figure 1.2 RTD Inputs

## Technical Specifications of ADAM-5013

Table 1.2: Technical Specifications of ADAM-5013	
Analog input channels	3
Input type	Pt or Ni      RTD
RTD type and temperature range	Pt -100 to 100°C a=0.00385
	Pt 0 to 100°C a=0.00385
	Pt 0 to 200°C a=0.00385
	Pt 0 to 600°C a=0.00385
	Pt -100 to 100°C a=0.003916
	Pt 0 to 100°C a=0.003916
	Pt 0 to 200°C a=0.003916
	Pt 0 to 600°C a=0.003916
	Ni -80 to 100°C
	Ni 0 to 100°C
Isolation voltage	3000 V <sub>DC</sub>
Sampling rate	10 samples/sec (total)
Input impedance	2 M-
Bandwidth	13.1 Hz @ 50 Hz 15.72 Hz @ 60 Hz
Input connections	2, 3 or 4 wire
Accuracy	± 0.1% or better
Zero drift	± 0.015 °C/°C
Span drift	± 0.01 °C/°C
CMR@50/60 Hz	150 dB
NMR@50/60 Hz	100 dB
Power consumption	1.2 W

### ADAM-5013 RTD Input Resistance Calibration

1. Apply power to the module and let it warm up for about 30 minutes.
2. Make sure that the module is correctly installed and is properly configured for the input range you want to calibrate. You can use the ADAM utility software to help in this.
3. Connect the correct reference self resistance between the screw terminals of the ADAM-5013 as shown in the following wiring diagram. Table 2 below shows the correct values of the span and zero calibration resistances to be connected. Reference resistances used can be from a precision resistance decade box or from discrete resistors with the values 60, 140, 200 and 440 ohms.



**Figure 1.3 Applying Calibration Resistance**

4. First, with the correct zero (offset) calibration resistance connected as shown above, issue a Zero Calibration command to the module using the Calibrate option in the ADAM utility software.
5. Second, with the correct span resistance connected as shown above, issue a Span Calibration command to the module using the Calibrate option in the ADAM utility software. Note that the module zero calibration must be completed prior to the span calibration.

**Note!** *If the above procedure is ineffective, the user must first issue an RTD Self Calibration command \$aaSi2 to the module and then complete steps 4 and 5 after self calibration is complete.*



Table 1.3: Calibration Resistances of ADAM-5013			
Input Range Code (Hex)	Input Range	Span Calibration Resistance	Zero Calibration Resistance
20	Pt, -100 to 100°C A = 0.00385	140 Ohms	60 Ohms
21	Pt, 0 to 100°C A = 0.00385	140 Ohms	60 Ohms
22	Pt, 0 to 200°C A = 0.00385	200 Ohms	60 Ohms
23	Pt, 0 to 600°C A = 0.00385	440 Ohms	60 Ohms
24	Pt, -100 to 100°C A = 0.00392	140 Ohms	60 Ohms
25	Pt, 0 to 100°C A = 0.00392	140 Ohms	60 Ohms
26	Pt, 0 to 200°C A = 0.00392	200 Ohms	60 Ohms
27	Pt, 0 to 600°C A = 0.00392	440 Ohms	60 Ohms
28	Ni, -80 to 100° C	200 Ohms	60 Ohms
29	Ni, 0 to 100°C	200 Ohms	60 Ohms

## 1.2.2 ADAM-5017 8-ch Analog Input Module

The ADAM-5017 is a 16-bit, 8-channel analog differential input module that provides programmable input ranges on all channels. It accepts millivolt inputs ( $\pm 150\text{mV}$ ,  $\pm 500\text{mV}$ ), voltage inputs ( $\pm 1\text{V}$ ,  $\pm 5\text{V}$  and  $\pm 10\text{V}$ ) and current input ( $\pm 20\text{ mA}$ ). The module provides data to the host computer in engineering units (mV, V or mA). This module is an extremely cost-effective solution for industrial measurement and monitoring applications. Its optoisolated inputs provide  $3,000\text{ V}_{\text{DC}}$  of isolation between the analog input and the module, protecting the module and peripherals from damage due to high input line voltage. Additionally, the module uses analog multiplexers with active over-voltage protection. The active protection circuitry assures that signal fidelity is maintained even under fault conditions that would destroy other multiplexers. This module can withstand an input voltage surge of  $70\text{ V}_{\text{p-p}}$  with  $\pm 15\text{ V}$  supplies. The jumpers of the ADAM-5017 are designed for current input.

### ADAM-5017

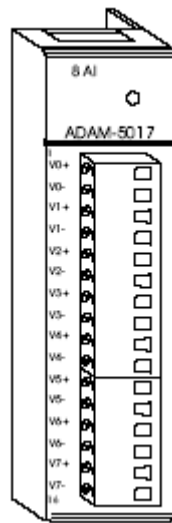


Figure 1.4 ADAM-5017 Module Front View

### Application Wiring

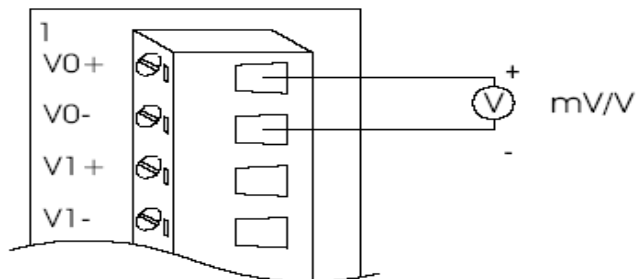


Figure 1.5 Millivolt and Volt Input

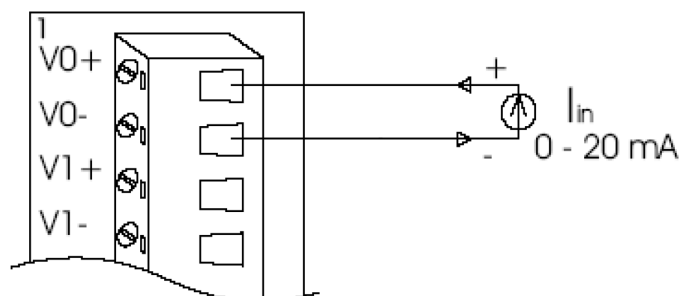


Figure 1.6 Process Current Input

**Note!** To keep measurement accuracy please short the channels that are not in use.



### Technical Specifications of ADAM-5017

Table 1.4: Technical Specifications of ADAM-5017	
Analog Input Channels	Eight differential
Input Type	mV, V, mA
Input Range	$\pm 150$ mV, $\pm 500$ mV, $\pm 1$ V, $\pm 5$ V, $\pm 10$ V and $\pm 20$ mA
Isolation Voltage	3000 VDC
Sampling Rate	10 samples/sec (total)
Analog Input Signal Limit	15 V max.
Max. allowable voltage difference between two connectors in a module	15 V max.
Input Impedance	2M $\Omega$ (voltage input) 120 $\Omega$ (current input)
Bandwidth	13.1 Hz @ 50 Hz, 15.72 Hz @ 60 Hz
Accuracy	$\pm 0.1\%$ or better
Zero Drift	$\pm 1.5$ $\mu$ V/ $^{\circ}$ C
Span Drift	$\pm 25$ PPM/ $^{\circ}$ C
CMR @ 50/60 Hz	92 dB min.
Power Requirements	+ 10 to + 30 VDC (non-regulated)
Power Consumption	1.2 W

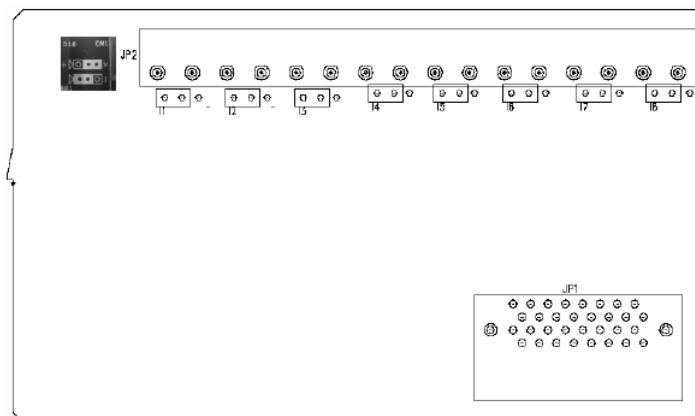


Figure 1.7 Locations of Jumpers

### 1.2.3 ADAM-5017P

The ADAM-5017P is a 16-bit, 8-channel analog differential input and independent configuration module. It accepts millivolt inputs ( $\pm 150\text{mV}$ ,  $\pm 500\text{mV}$ ,  $0\sim 150\text{mV}$ ,  $0\sim 500\text{mV}$ ,  $0\sim 1\text{V}$ ,  $0\sim 5\text{V}$ ,  $0\sim 10\text{V}$ ,  $0\sim 15\text{V}$ ), voltage inputs ( $\pm 1\text{V}$ ,  $\pm 5\text{V}$ ,  $\pm 10\text{V}$ , and  $\pm 20\text{V}$ ) and current input ( $\pm 20\text{mA}$ ,  $4\sim 20\text{mA}$ ). The module provides data to the host computer in engineering units (mV, V (supports unipolar and bipolar) or mA). This module is an extremely cost-effective solution for industrial measurement and monitoring applications. Its high common mode provides 200 VDC, protecting the module and peripherals from damage due to high input line voltage. Additionally, the module uses analog multiplexers with active overvoltage protection. The active protection circuitry assures that signal fidelity is maintained even under fault conditions that would destroy other multiplexers. This module can withstand an input voltage surge of  $\pm 60\text{VDC}$ .

#### ADAM-5017P

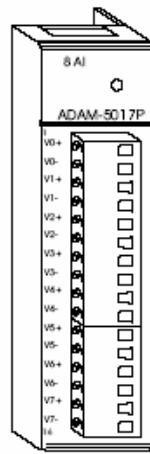


Figure 1.8 ADAM-5017P Module Front View

#### Application Wiring

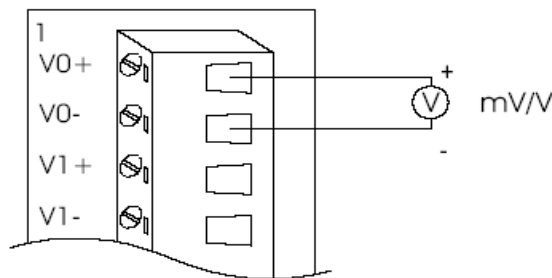


Figure 1.9 Millivolt and Volt Input

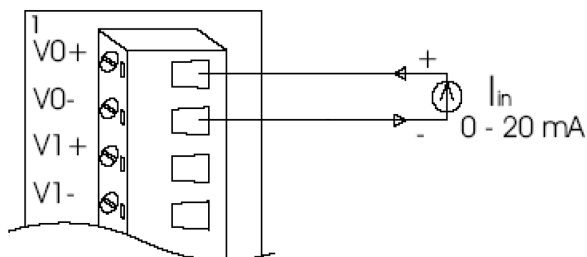


Figure 1.10 Process Current Input



**Note!** To keep measurement accuracy please short the channels that are not in use.



<b>Table 1.5: Technical Specifications of ADAM-5017P</b>	
Analog Input Channels	Eight differential and independent
Input Type	mV, V (uni-polar and bipolar), mA
Input Range	$\pm 150$ mV, $\pm 500$ mV, $\pm 1$ V, $\pm 5$ V, $\pm 10$ V, 0~150mV, 0~500mV, 0~1V, 0~5V, 0~10V, 0~15V and $\pm 20$ mA, and 4~20mA
High common mode	200 VDC
Sampling Rate	10 samples/sec (total)
Resolution	16 bits
Over Voltage	$\pm 60$ VDC
Input Impedance	2M $\Omega$ (voltage input) 120 $\Omega$ (current input)
Built-in TVS/ESD protection	Yes
Accuracy	$\pm 0.1\%$ or better Voltage mode $\pm 0.2\%$ or better Current mode
Zero Drift	$\pm 6$ $\mu$ V/ $^{\circ}$ C
Span Drift	$\pm 25$ PPM/ $^{\circ}$ C
CMR @ 50/60 Hz	92 dB min.
Power Consumption	1.25 W (Max)

## 1.2.4 ADAM-5017H 8-ch High Speed Analog Input Module

ADAM-5017H is an 8-ch analog differential input module that provides programmable input ranges on each channel. The module provides data to the host microprocessor in engineering units (mV, V or mA) or two's complement format. Its sampling rate depends on the data format received: up to 100 Hz (total). Each input channel has 3000 VDC of optical isolation between the outside analog input line and the module, protecting the module and peripherals from high input line voltages. Additionally, the module uses analog multiplexers with active over-voltage protection. The active protection circuitry assures that signal fidelity is maintained even under fault conditions that would destroy other multiplexers. The analog inputs can withstand a constant 70 Vp-p input with  $\pm 15V$  supplies.

### ADAM-5017H

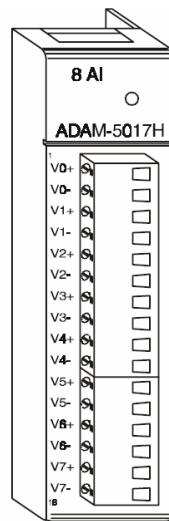


Figure 1.11 ADAM-5017H Module Front View

### Application Wiring

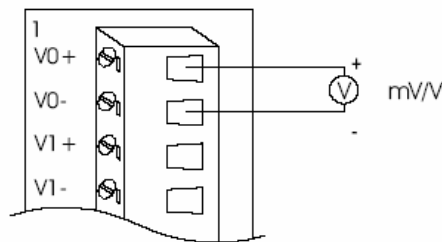


Figure 1.12 Millivolt and Volt Input

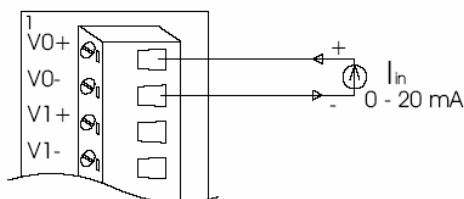
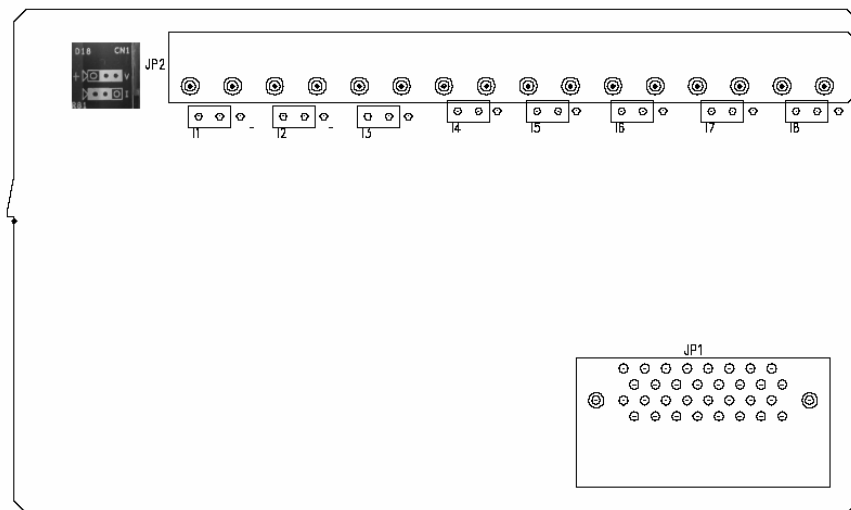


Figure 1.13 Process Current Input



**Figure 1.14 Locations of Jumpers**

**Note!** To maintain measurement accuracy please short channels not in use.



<b>Table 1.6: Technical Specifications of ADAM-5017H</b>	
Analog Input Channels	8 differential
ADC Resolution	12 bits, plus sign bit
Type of ADC	Successive approximation
Isolation Voltage	3000 V <sub>DC</sub>
Sampling Rate	100 Hz
Input Impedance	2M $\Omega$ (voltage input) 120 $\Omega$ (current input)
Signal Input Bandwidth	1000 Hz for both voltage inputs and current inputs
Analog Signal Range	$\pm 15$ V max.
Analog Signal Range for any two measured Pins	$\pm 15$ V max.
Power Requirements	+10 to +30 VDC (non-regulated)
Power Consumption	1.8 W
Accuracy	$\pm 0.1\%$ or better

**Table 1.7: ADAM-5017H Input Signal Ranges**

	Input Range	With Over-ranging	Offset Error @ 25°C	Offset Error @ -10 to +70°C	Gain Error @ 25°C	Gain Error @ -10 To +70°C	Offset Drift	Gain Drift	Display Resolution
Voltage Inputs	0 ~ 10 V	0 ~ 11 V	±1 LSB	±2 LSB	±1 LSB	±2 LSB	17 µV/°C	50 ppm/°C	2.7 mV
	0 ~ 5 V	0 ~ 5.5 V	±1 LSB	±2 LSB	±1.5 LSB	±2 LSB	16 µV/°C	50 ppm/°C	1.3 mV
	0 ~ 2.5 V	0 ~ 2.75 V	±1 LSB	±2 LSB	±1.5 LSB	±2 LSB	20 µV/°C	55 ppm/°C	0.67 mV
	0 ~ 1 V	0 ~ 1.375 V	±1 LSB	±2.5 LSB	±2 LSB	±2.5 LSB	20 µV/°C	60 ppm/°C	0.34 mV
	0 ~ 500 mV	0 ~ 687.5 mV	-	±5 LSB	±3 LSB	±3.5 LSB	20 µV/°C	67 ppm/°C	0.16 mV
	± 10 V	±11 V	±1 LSB	±2 LSB	±1 LSB	±2 LSB	17 µV/°C	50 ppm/°C	2.7 mV
	± 5 V	±0 ~ 5.5 V	±1 LSB	±2 LSB	±1.5 LSB	±2 LSB	17 µV/°C	50 ppm/°C	1.3 mV
	± 2.5 V	±0 ~ 2.75 V	±1 LSB	±2 LSB	±1.5 LSB	±2 LSB	20 µV/°C	55 ppm/°C	0.67 mV
	± 1 V	±0 ~ 1.375 V	±1 LSB	±2.5 LSB	±2 LSB	±2.5 LSB	20 µV/°C	60 ppm/°C	0.34 mV
	± 500 mV	±0 ~ 687.5 mV	-	±5 LSB	±3 LSB	±3.5 LSB	20 µV/°C	67 ppm/°C	0.16 mV
Current Inputs	0 ~ 20 mA	22 mA	±1 LSB	±1 LSB	±1.5 LSB	±2 LSB	nA/°C	ppm/°C	5.3 µ
	4 ~ 20 mA	22 mA	±1 LSB	±1 LSB	±1.5 LSB	±2 LSB	nA/°C	ppm/°C	5.3 µ

## 1.2.5 ADAM-5017UH 8-ch Ultra High Speed Analog Input Module

The ADAM-5017UH is a 12-bit plus sign bit, 8-channel analog differential input module that provides programmable input ranges on each channel. It accepts voltage inputs ( $\pm 10$  V and 0-10 V) and current inputs (0-20 mA and 4-20 mA). The module provides data to the host microprocessor in engineering units (mV, V or mA) or two's complement format. Its sampling rate depends on the data format received: up to 200k Hz (total). Space is reserved for 125-ohm, 0.1%, 10 ppm resistors (See Figure 9). Each input channel has 3000 V<sub>DC</sub> of optical isolation between the outside analog input line and the module, protecting the module and peripherals from high input line voltages. Additionally, the module uses analog multiplexers with active overvoltage protection. The active protection circuitry assures that signal fidelity is maintained even under fault conditions that would destroy other multiplexers. The analog inputs can withstand a constant 70 V<sub>p-p</sub> input with  $\pm 15$ V supplies. The jumpers of ADAM-5017UH are designed for current input.

### ADAM-5017UH

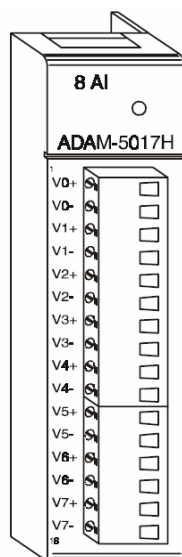


Figure 1.15 ADAM-5017UH Module Front View

### Application Wiring

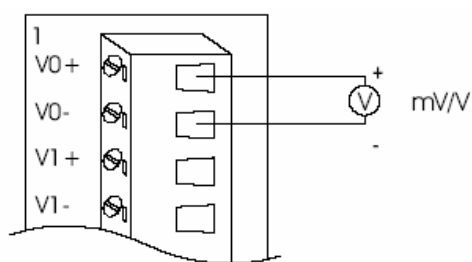


Figure 1.16 Millivolt and Volt Input

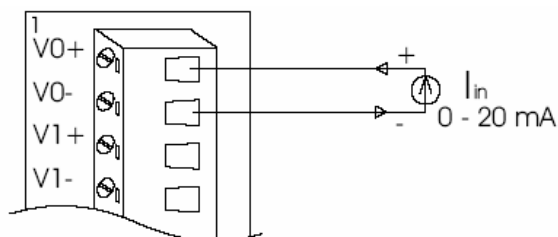


Figure 1.17 Process Current Input

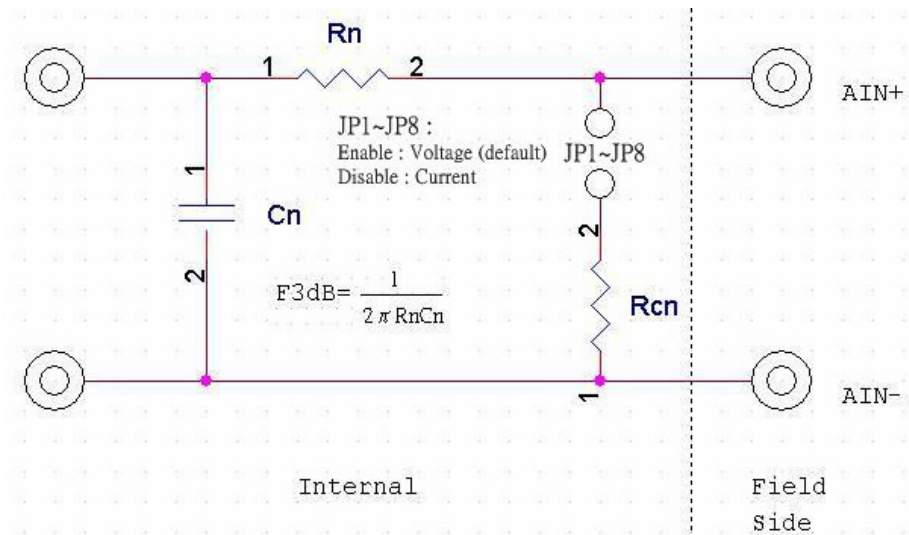


Figure 1.18 Locations of RC Filter Jumper Setting

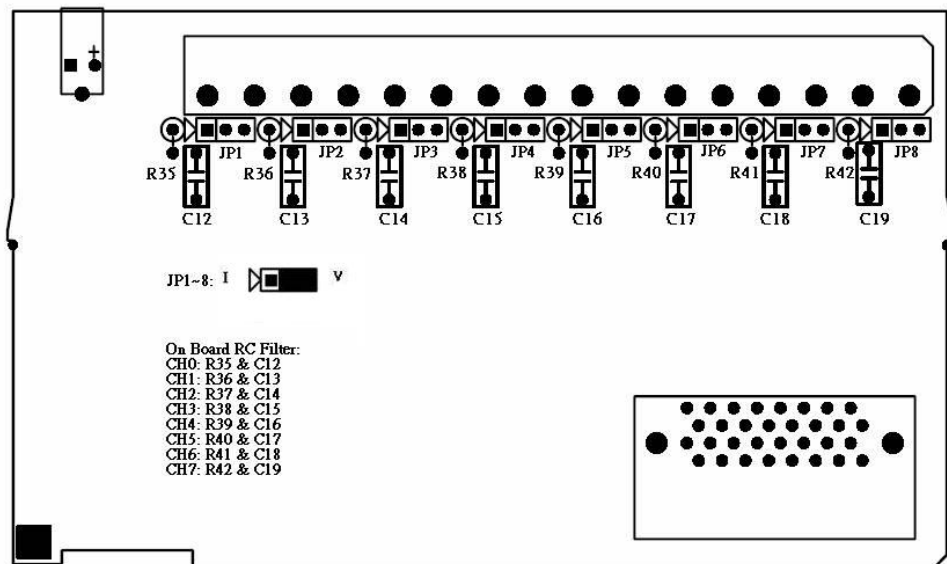


Figure 1.19 Locations of RC Filter Jumper Setting

**Note!** To maintain measurement accuracy please short channels not in use.



**Table 1.8: Technical Specifications of ADAM-5017UH**

Analog Input Channels	Eight differential
Resolution	12 bits
Input Type	mV, V, mA
Input Range	+0~10V , $\pm 10$ V , +4~20mA and $\pm 20$ mA
Isolation Voltage	3000 VDC
Sampling Rate	200k samples/sec (single channel) 50k samples/sec (8 channel)
Analog Input Signal Limit	15 V max.
Max. allowable voltage difference between two connectors in a module	15 V max.
Input Impedance	2M $\Omega$ (voltage input) 120 $\Omega$ (current input)
Bandwidth	200kHz
Accuracy	$\pm 0.1\%$ or better
Low or high pass filter	Configured by User
CMR @ 50/60 Hz	92 dB min.
Power Requirements	+ 10 to + 30 VDC (non-regulated)
Power Consumption	1.75 W (typical ); 2.2W (max)
Signal Input Bandwidth	200kHz for both voltage and current inputs

**Table 1.9: ADAM-5017UH Input Signal Ranges**

	Input Range	Offset Error @ 25°C	Offset Error @ -10 to +70°C	Gain Error @ 25°C	Gain Error @ -10 to +70°C	Display Resolution
Voltage Inputs	0 ~ 10 V	$\pm 1$ LSB	$\pm 2$ LSB	$\pm 1$ LSB	$\pm 2$ LSB	2.7 mV
	$\pm 10$ V	$\pm 1$ LSB	$\pm 2$ LSB	$\pm 1$ LSB	$\pm 2$ LSB	2.7 mV
Current Inputs	0 ~ 20 mA	$\pm 1$ LSB	$\pm 1$ LSB	$\pm 1.5$ LSB	$\pm 2$ LSB	5.3 $\mu$
	4 ~ 20 mA	$\pm 1$ LSB	$\pm 1$ LSB	$\pm 1.5$ LSB	$\pm 2$ LSB	5.3 $\mu$

## 1.2.6 ADAM-5018 7-ch Thermocouple Input Module

The ADAM-5018 is a 16-bit, 7-channel thermocouple input module that features programmable input ranges on all channels. It accepts millivolt inputs ( $\pm 15$  mV,  $\pm 50$  mV,  $\pm 100$  mV,  $\pm 500$  mV), voltage inputs ( $\pm 1$  V,  $\pm 2.5$  V), current input ( $\pm 20$  mA, requires 125 ohms resistor) and thermocouple input (J, K, T, R, S, E, B).

The module forwards the data to the host computer in engineering units (mV, V, mA or temperature  $^{\circ}\text{C}$ ). An external CJC on the plug-in terminal is designed for accurate temperature measurement.

### ADAM-5018

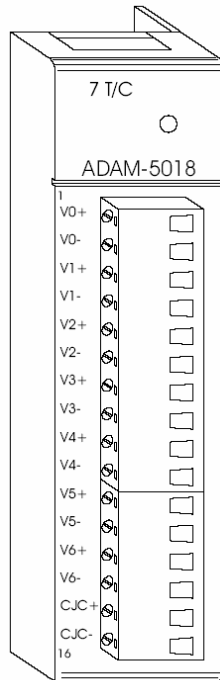


Figure 1.20 ADAM-5018 Module Front View

### Application Wiring

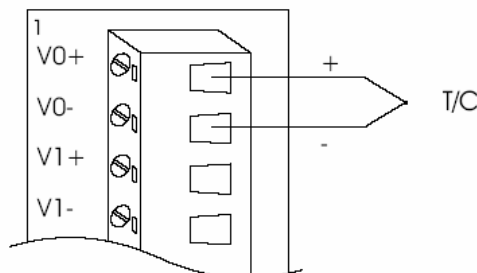


Figure 1.21 Thermocouple Input



**Table 1.10: Technical Specifications of ADAM-5018**

Analog Input Channels	Seven differential
Input Type	mV, V, mA, Thermocouple
Input Range	$\pm 15$ mV, $\pm 50$ mV, $\pm 100$ mV, $\pm 500$ mV, $\pm 1$ V, $\pm 2.5$ V and $\pm 20$ mA
T/C Type and Temperature Range	J 0 to 760 °C K 0 to 1370 °C T -100 to 400 °C E 0 to 1400 °C R 500 to 1750 °C S 500 to 1750 °C B 500 to 1800 °C
Isolation Voltage	3000 VDC
Sampling Rate	10 samples/sec (total)
Input Impedance	2M $\Omega$
Bandwidth	13.1 Hz @ 50 Hz, 15.72 Hz @ 60 Hz
Accuracy	$\pm 0.1\%$ or better
Zero Drift	$\pm 0.3$ $\mu$ V/°C
Span Drift	$\pm 25$ PPM/°C
CMR @ 50/60 Hz	92 dB min.
Power Consumption	1.2 W

**Table 1.11: ADAM-5018 Range Accuracy for Thermocouple**

Input Range Code (HEX)	Input Range	Typical Accuracy	Maximum error	Units
0x0E	J thermocouple 0 to 760 °C	$\pm 1.0$	$\pm 1.5$	°C
0x0F	K thermocouple 0 to 1370 °C	$\pm 1.0$	$\pm 1.5$	°C
0x10	T thermocouple -100 to 400 °C	$\pm 1.0$	$\pm 1.5$	°C
0x11	E thermocouple 0 to 1000 °C	$\pm 1.0$	$\pm 1.5$	°C
0x12	R thermocouple 500 to 1750 °C	$\pm 1.2$	$\pm 2.5$	°C
0x13	S thermocouple 500 to 1750 °C	$\pm 1.2$	$\pm 2.5$	°C
0x14	B thermocouple 500 to 1800 °C	$\pm 2.0$	$\pm 3.0$	°C

## 1.2.7 ADAM-5018P 7-ch Thermocouple Input Module

The ADAM-5018P is a 16-bit, 8-channel Thermocouple Independent input module that provides programmable input ranges on all channels. It accepts Various Thermocouple inputs (Type J, K, T, E, R, S, B) and provides data to the host computer in engineering units ( $^{\circ}\text{C}$ ) In order to satisfy various temperature requirements in one module, each analog channel is allowed to configure an individual range for several applications.

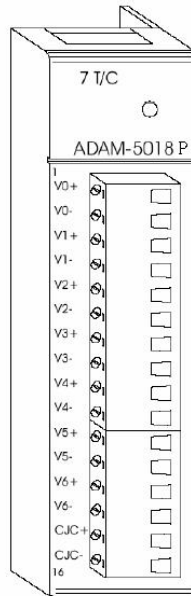


Figure 1.22 ADAM-5018P Module Front View

### Application Wiring

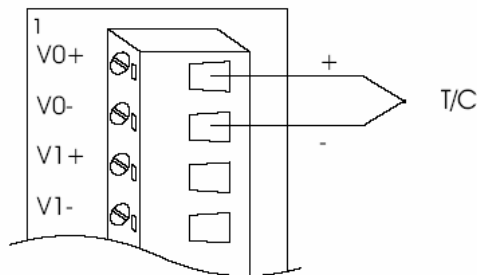


Figure 1.23 Thermocouple Input

<b>Table 1.12: Technical Specifications of ADAM-5018P</b>	
Analog Input Channels	Seven differential & independent thermocouple
Input Type	mV, V, mA, Thermocouple
Input Range	$\pm 15$ mV, $\pm 50$ mV, $\pm 100$ mV, $\pm 500$ mV, $\pm 1$ V, $\pm 2.5$ V and $\pm 20$ mA
T/C Type and Temperature Range	J 0 to 760 °C K 0 to 1370 °C T -100 to 400 °C E 0 to 1400 °C R 500 to 1750 °C S 500 to 1750 °C B 500 to 1800 °C
Isolation Voltage	3000 VDC
Sampling Rate	10 samples/sec (Selected by Utility)
Input Impedance	2M $\Omega$ (voltage input) 120 $\Omega$ (current input)
Bandwidth	13.1 Hz @ 50 Hz, 15.72 Hz @ 60 Hz
Accuracy	$\pm 0.1\%$ or better
Zero Drift	$\pm 6$ $\mu$ V/°C
Span Drift	$\pm 25$ PPM/°C
CMR @ 50/60 Hz	92 dB min.
Power Consumption	0.5 W



# Chapter 2

## Analog Output Modules

## 2.1 Analog Output Modules

### 2.1.1 ADAM-5024 4-ch Analog Output Module

The ADAM-5024 is a 4-channel analog output module. It receives its digital input through the RS-485 interface of the ADAM-5510 system module from the host computer. The format of the data is engineering units. It then uses the D/A converter controlled by the system module to convert the digital data into output signals.

You can specify slew rates and start up currents through the configuration software. The analog output can also be configured as current or voltage through the software utility. The module protects your equipment from ground loops and power surges by providing opto-isolation of the D/A output and transformer based isolation up to 500 VDC.

#### Slew Rate

The slew rate is defined as the slope indicated the ascending or descending rate per second of the analog output from the present to the required.

#### ADAM-5024

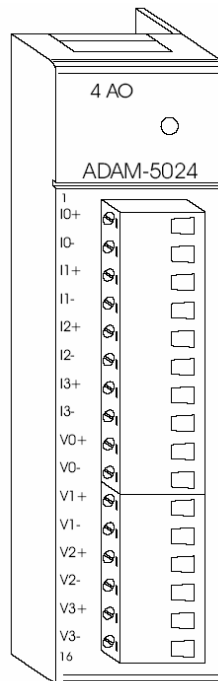


Figure 2.1 ADAM-5024 Module Frontal View

#### Application Wiring

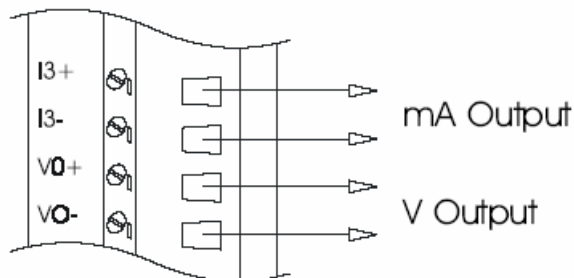


Figure 2.2 Analog Output

## Technical Specifications of ADAM-5024

<b>Table 2.1: Technical Specifications of ADAM-5024</b>	
Analog Output Channels	Four
Output Type	V, mA
Output Range	0-20mA, 4-20mA, 0-10V
Isolation Voltage	3000 Vdc
Output Impedance	0.5 Ohms
Accuracy	±0.1% of FSR for current output ±0.2% of FSR for voltage output
Zero Drift	Voltage output: ±30 $\mu\text{V}/^\circ\text{C}$ Current output: ±0.2 $\mu\text{A}/^\circ\text{C}$
Resolution	±0.015% of FSR
Span Temperature Coefficient	±25 PPM/ $^\circ\text{C}$
Programmable Output Slope	0.125-128.0 mA/sec 0.0625-64.0 V/sec
Current Load Resistor	0-500 Ohms (source)
Power Consumption	2.5W (Max.)





# Chapter 3

## Analog I/O Module Calibration

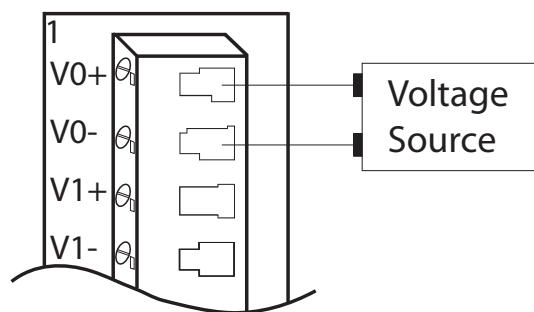
## 3.1 Analog I/O Module Calibration

Analog input/output modules are calibrated when you receive them. However, calibration is sometimes required. No screwdriver is necessary because calibration is done in software with calibration parameters stored in the ADAM-5000 analog I/O module's onboard EEPROM. The ADAM-5000 system comes with the ADAM utility software that supports calibration of analog input and analog output. Besides the calibration that is carried out through software, the modules incorporate automatic Zero Calibration and automatic Span Calibration at boot up or reset.

### 3.1.1 Analog Input Module Calibration

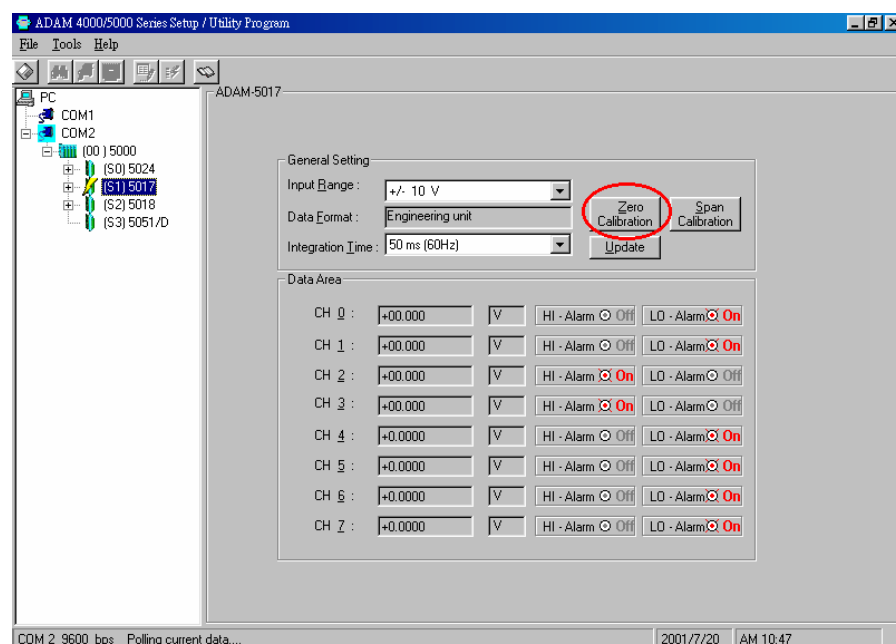
**Modules: ADAM-5017, 5017H, 5018**

1. Apply power to the ADAM-5000 system that the analog input module is plugged into and let it warm up for about 30 minutes
2. Ensure that the module is correctly installed and is properly configured for the input range you want to calibrate. You can do this with the ADAM utility software.
3. Use a precision voltage source to apply a span calibration voltage to the module's V0+ and V0- terminals. (See Tables 5-2 and 5-3 for reference voltages for each range.)



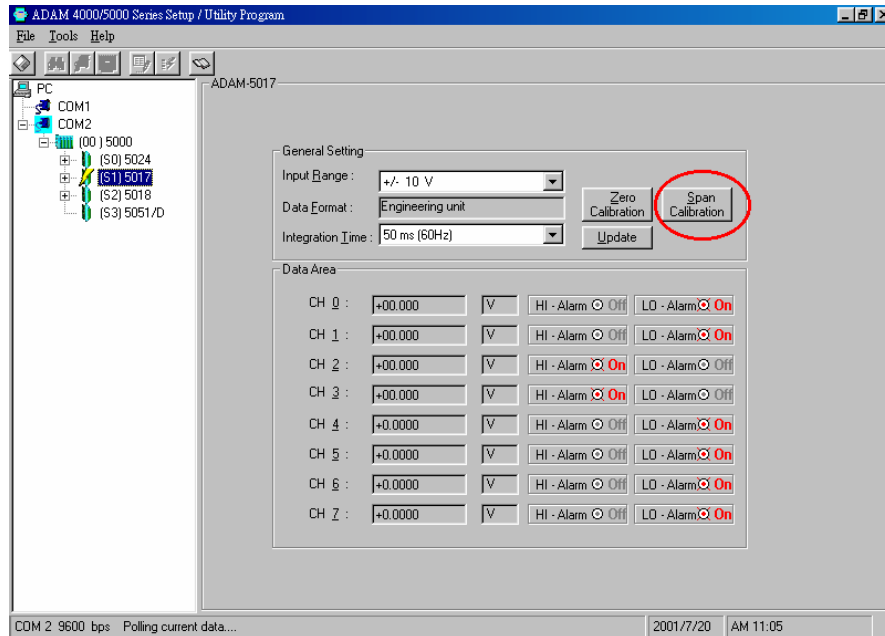
**Figure 3.1 Applying Calibration Voltage**

4. Execute the Zero Calibration command (also called Offset Calibration command).



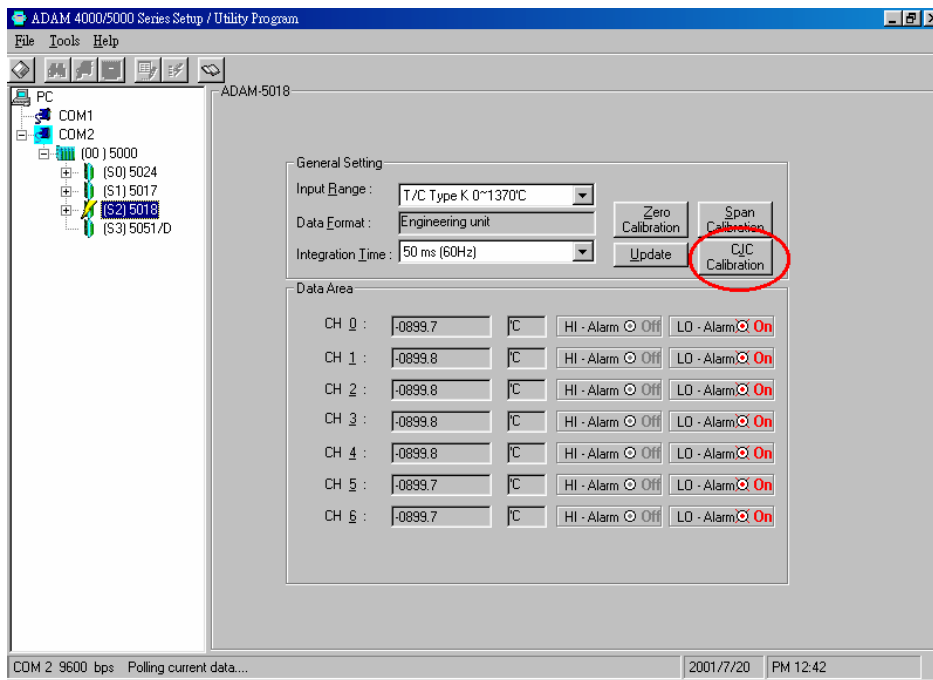
**Figure 3.2 Zero Calibration**

- Execute the Span Calibration command. This can be done with the ADAM utility.




**Figure 3.3 Span Calibration**

- CJC Calibration (only for T/C input module)



**Figure 3.4 Cold Junction Calibration**


**Note!**  Zero calibration and span calibration must be completed before CJC calibration. To calibrate CJC, the thermocouple attached to ADAM-5018 and a standard thermometer should be used to measure a standard known temperature, such as the freezing point of pure water. The amount of offset between the ADAM-5018 and the standard thermometer is then used in the ADAM utility to complete CJC calibration.

**Table 3.1: Calibration Voltage of ADAM-5017/5018**

Module	Input Range Code (Hex)	Input Range	Span Calibration Voltage
5018	00h	±15 mV	+15 mV
	01h	±50 mV	+50 mV
	02h	±100 mV	+100 mV
	03h	±500 mV	+500 mV
	04h	±1 mV	+1 V
	05h	±2.5 V	+2.5 V
	06h	±20 mV	+20 mA (1)
	0Eh	J thermocouple 0 to 1370°C	+50 mV
	0Fh	K thermocouple 0 to 1370°C	+50 mV
	10h	T thermocouple -100 to 400°C	+22 mV
	11h	E thermocouple 0 to 1000°C	+80 mV
	12h	R thermocouple 500 to 1750°C	+22 mV
	13h	S thermocouple 500 to 1800°C	+22 mV
	14h	B thermocouple 500 to 1800°C	+152 mV
5017	07h	Not used	
	08h	°C ±10 V	+10 V
	09h	±5 V	+5 V
	0Ah	±1 V	+1 V
	0Bh	±500 mV	+500 mV
	0Ch	±150 mV	+150 mV
	0Dh	±20 mA	+20 mV (1)

**Table 3.2: Calibration Voltage (ADAM-5017H)**

Module	Input Range Code (Hex)	Input Range	Span Calibration Voltage
5017H	00h	±10 V	+10 V
	01h	0 ~ 10 V	+10 V
	02h	±5 V	+5 V
	03h	0 ~ 5 V	+5 V
	04h	±2.5 V	+2.5 V
	05h	0 ~ 2.5 V	+2.5 V
	06h	±1 V	+1 V
	07h	0 ~ 1 V	+1 V
	08h	±500 mV	+500 mV
	09h	0 ~ 500 mV	+500 mV
	0ah	4 ~ 20 mA	*(1)
	0bh	0 ~ 20 mA	*(1)


**Note!**  You can substitute 2.5 V for 20 mA if you remove the current conversion resistor for that channel. However, the calibration accuracy will be limited to 0.1% due to the resistor's tolerance.

**Table 3.3: Calibration Voltage of ADAM-5018P**

Module	Input Range Code (Hex)	Input Range	Span Calibration Voltage
5018P	00h	$\pm 15$ mV	+15 mV
	01h	$\pm 50$ mV	+50 mV
	02h	$\pm 100$ mV	+100 mV
	03h	$\pm 500$ mV	+500 mV
	04h	$\pm 1$ V	+1 V
	05h	$\pm 2.5$ V	+2.5 V
	06h	$\pm 20$ mA	+20 mA (1)
	07h	4 ~ 20 mA	+16 mA (1)
	0Eh	J thermocouple 0 to 1370°C	+50 mV
	0Fh	K thermocouple 0 to 1370°C	+50 mV
	10h	T thermocouple -100 to 400°C	+22 mV
	11h	E thermocouple 0 to 1000°C	+80 mV
	12h	R thermocouple 500 to 1750°C	+22 mV
	13h	S thermocouple 500 to 1800°C	+22 mV
	14h	B thermocouple 500 to 1800°C	+152 mV

**Table 3.4: Calibration Voltage of ADAM-5017UH**

Module	Input Range Code (Hex)	Input Range	Span Calibration Voltage
5017H	08h	$\pm 10$ V	+10 V
	48h	0 ~ 10 V	+10 V
	46h	0 ~ 20 mA	*(1)
	07h	4 ~ 20 mA	*(1)

**Note!**  You can substitute 2.5 V for 20 mA if you remove the current conversion resistor for that channel. However, the calibration accuracy will be limited to 0.1% due to the resistor's tolerance.

### 3.1.2 Analog Output Module Calibration

The output current of analog output modules can be calibrated by using a low calibration value and a high calibration value. The analog output modules can be configured for one of two ranges: 0-20 mA and 4-20 mA. Since the low limit of the 0-20 mA range (0 mA) is internally an absolute reference (no power or immeasurably small power), just two levels are needed for calibration: 4 mA and 20 mA.

1. Apply power to the ADAM-5000 system including the analog output module for about 30 minutes.
2. Assure that the module is correctly installed and that its configuration is according to your specifications and that it matches the output range you want to calibrate. You can do this by using the ADAM utility software.
3. Connect either a 5-digit mA meter or voltmeter with a shunt resistor (250 ohms, .01 % and 10 ppm) to the screw terminals of the module.

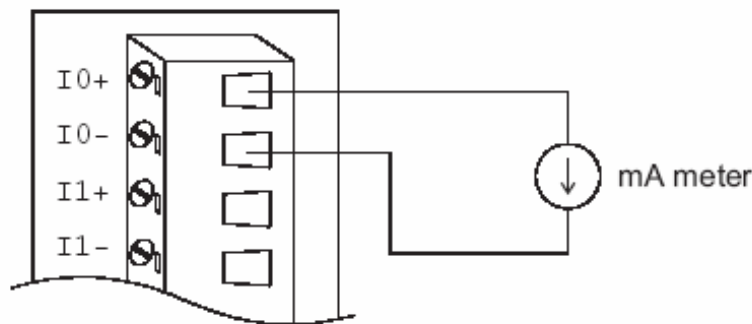


Figure 3.5 Output Module Calibration

4. Issue the Analog Data Out command to the module with an output value of 4 mA.
5. Check the actual output value at the modules terminals. If this does not equal 4 mA, use the "Trim" option in the "Calibrate" submenu to change the actual output. Trim the module until the mA meter indicates exactly **4 mA**, or in case of a voltage meter with shunt resistor, the meter indicates exactly **1 V**. (When calibrating for **20 mA** using a voltage meter and shunt resistor, the correct voltage should be **5 V**.)
6. Issue the 4 mA Calibration command to indicate that the output is calibrated and to store the calibration parameters in the module's EEPROM.
7. Execute an Analog Data Out command with an output value of 20 mA. The module's output will be approximately 20 mA.
8. Execute the Trim Calibration command as often as necessary until the output current is equal to exactly 20 mA.
9. Execute the 20 mA Calibration command to indicate that the present output is exactly 20 mA. The analog output module will store its calibration parameters in the unit's EEPROM.

# Chapter 4

Digital Input/Output  
Modules

## 4.1 Digital Input/Output Modules

### 4.1.1 ADAM-5050 16-ch Universal Digital I/O Module

The ADAM-5050 features sixteen digital input/output channels. Each channel can be independently configured to be an input or an output channel by the setting of its DIP switch. The digital outputs are open collector transistor switches that can be controlled from the ADAM-5000. The switches can also be used to control solid-state relays, which in turn can control heaters, pumps and power equipment. The ADAM-5000 can use the module's digital inputs to determine the state of limit or safety switches, or to receive remote digital signals.

**Warning!** A channel may be destroyed if it is subjected to an input signal while it is configured to be an output channel.

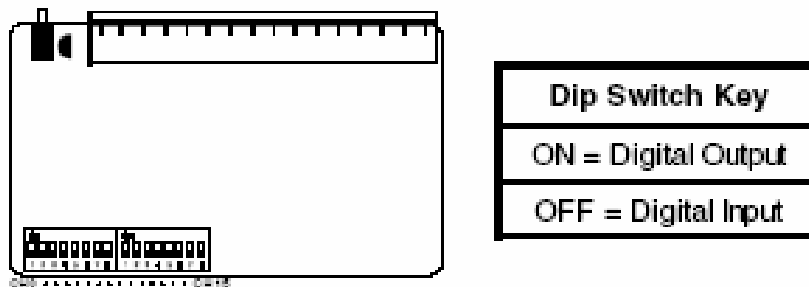


Figure 4.1 DIP Switch Setting for Digital I/O Channel

#### ADAM-5050

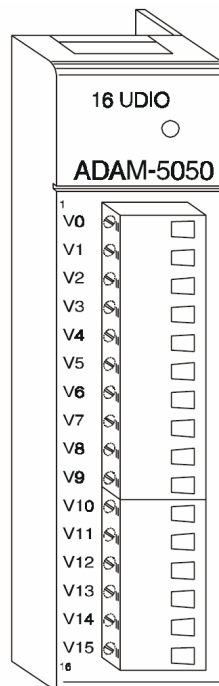
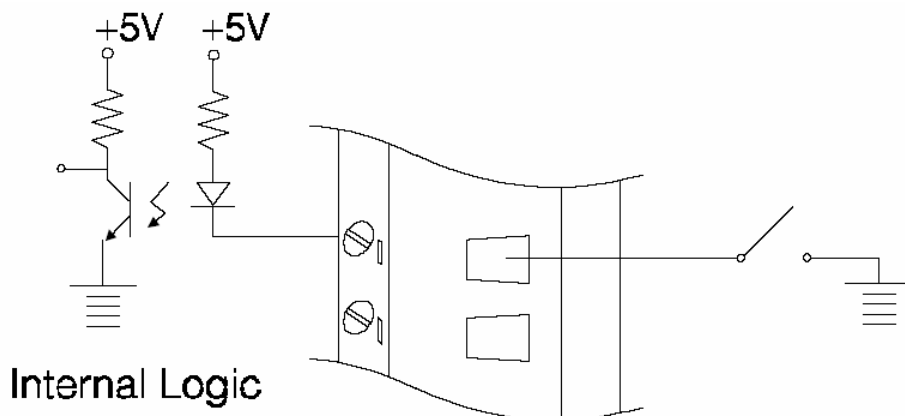


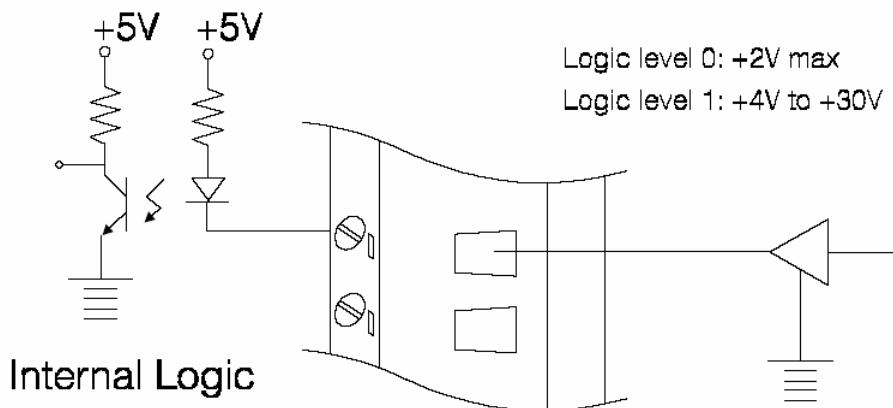
Figure 4.2 ADAM-5050 Module Frontal View



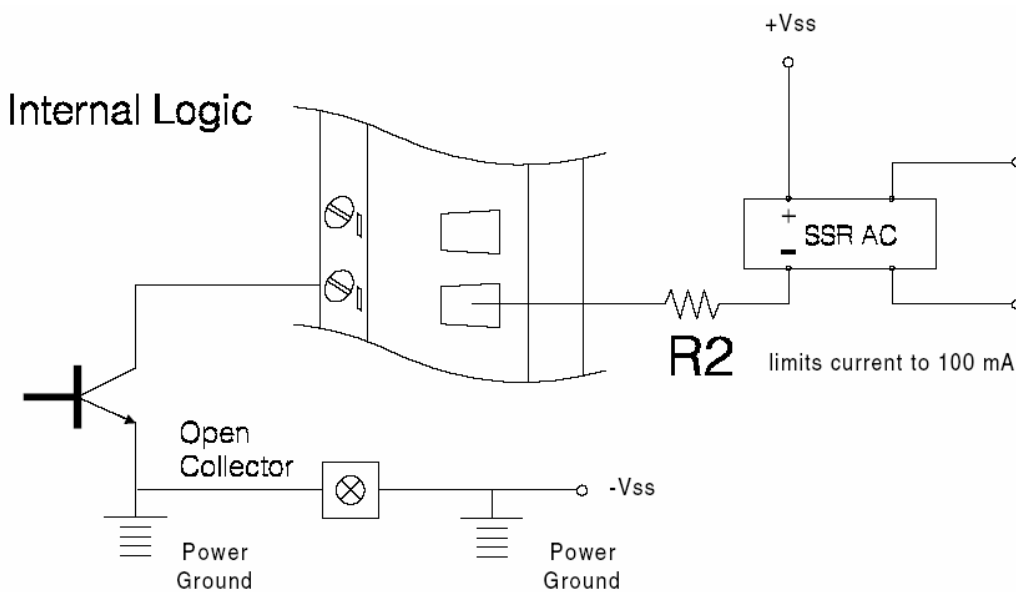
**Application Wiring**



**Figure 4.3 Dry Contact Signal Input (ADAM-5050)**



**Figure 4.4 Wet Contact Signal Input (ADAM-5050)**



**Figure 4.5 Digital Output with SSR (ADAM-5050/5056)**

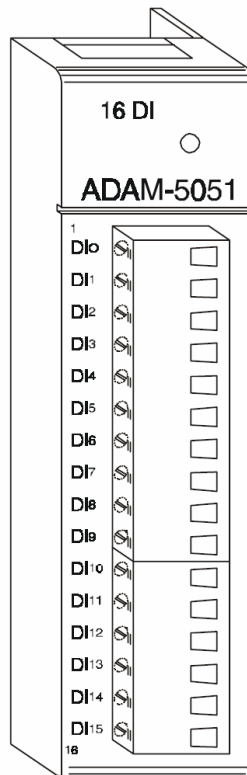
**Table 4.1: Technical Specifications of ADAM-5050**

Points	16
Channel Setting	Bitwise selectable by DIP switch
Digital Input	Dry Contact Logic Level 0: close to GND Logic Level 1: open Wet Contact Logic Level 0: +2 V max Logic Level 1: +4 V to 30 V
Digital Output	Open collector to 30 V, 100mA max load
Power Dissipation	450 mW
Power Consumption	0.4 W

#### 4.1.2 ADAM-5051(D) 16-ch Digital Input Module

The ADAM-5051 provides sixteen digital input channels. The ADAM-5510 can use the module's digital inputs to determine the state of limit or safety switches or to receive remote digital signals.

##### ADAM-5051/5051D



**Figure 4.6 ADAM-5051 Module Frontal View**

Application Wiring

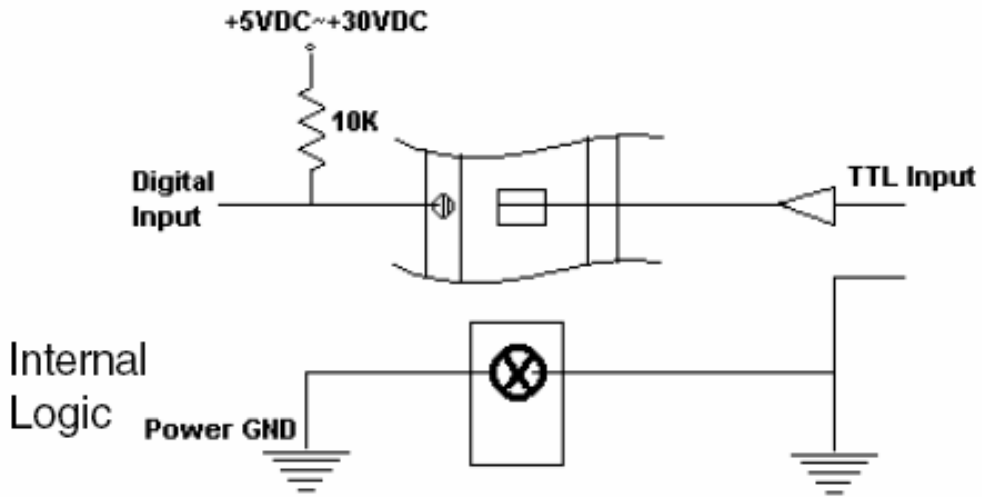


Figure 4.7 TTL Input (ADAM-5051/5051D)

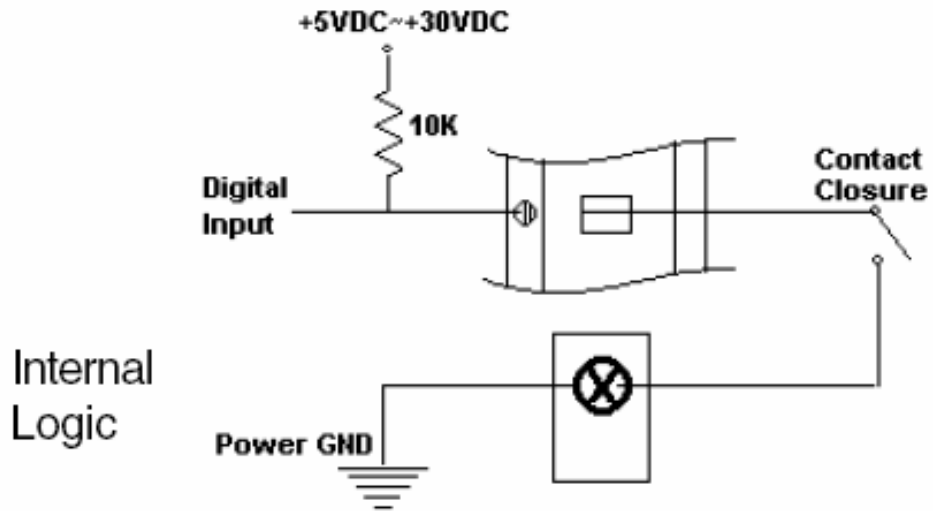


Figure 4.8 Contact Closure Input (ADAM-5051/5051D)

<b>Table 4.2: Technical Specifications of ADAM-5051/5051D</b>	
Points	16
Digital Input	Logic level 0: + 1 V max
	Logic level 1: + 3.5 to 30 V Pull up current: 0.5 mA
	10 k- resistor to + 5 V
Power Consumption	0.3 W
Indicator	ADAM-5051D only

### 4.1.3 ADAM-5051S 16-ch Isolated Digital Input Module with LED

The ADAM-5051S provides 16 isolated digital input channels for critical environments need individual channel isolating protection. Different from other ADAM-5000 I/O modules, ADAM-5051S designed with 21 pins plug terminal.

#### ADAM-5051S

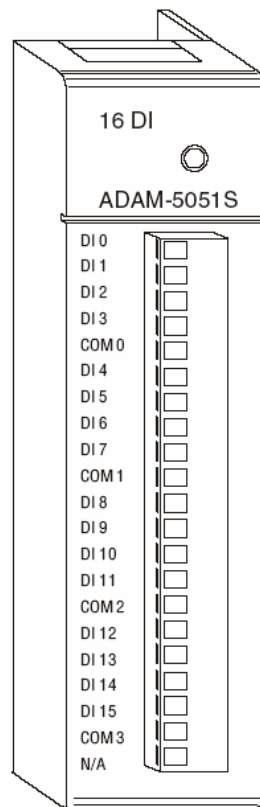


Figure 4.9 ADAM-5051S Module Front View

## Application Wiring

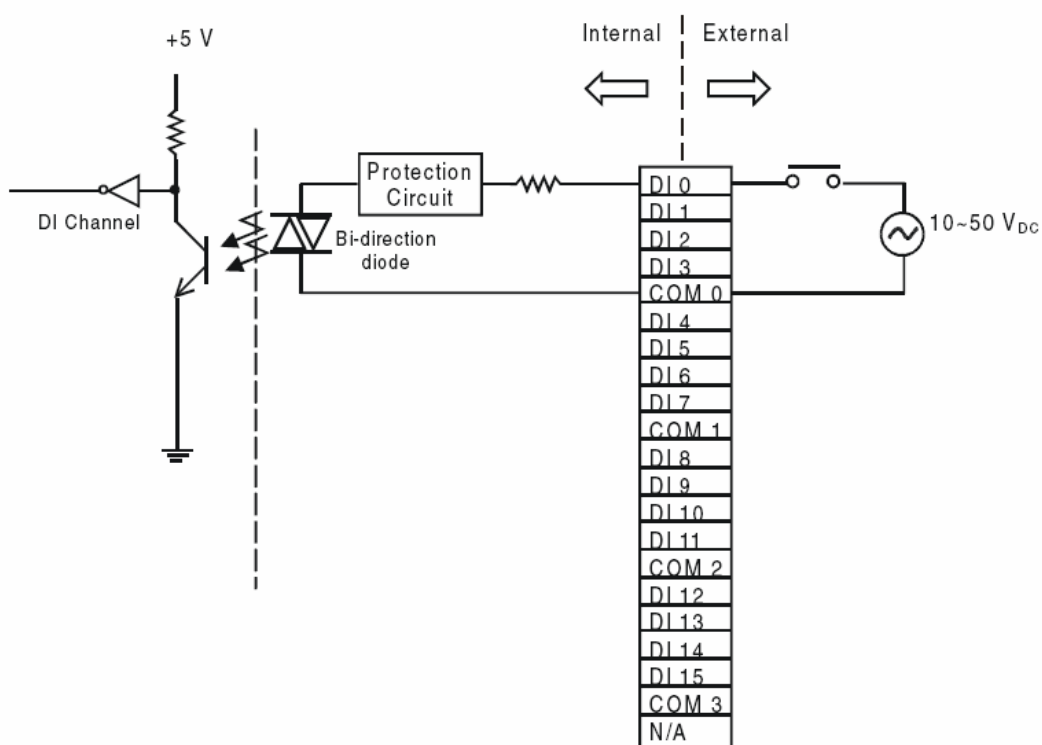


Figure 4.10 ADAM-5051S Module Wiring Diagram

**Table 4.3: Technical Specifications of ADAM-5051S**

Point	16 (4-channel/group)
Digital Input	Logic Level 0: + 3 V max Logic Level 1: + 10 to 50 V
Optical Isolation	2500 V <sub>DC</sub>
Opto-isolator response time	25 μs
Over-voltage Protection	70 V <sub>DC</sub>
Power Consumption	0.8 W
LED Indicator	On when active
I/O Connector Type	21-pin plug-terminal

#### 4.1.4 ADAM-5052 8-ch Isolated Digital Input Module

ADAM-5052 provides eight fully independent isolated channels. All have 5000 V<sub>RMS</sub> isolation to prevent ground loop effects and to prevent damage from power surges on the input lines.

##### ADAM-5052

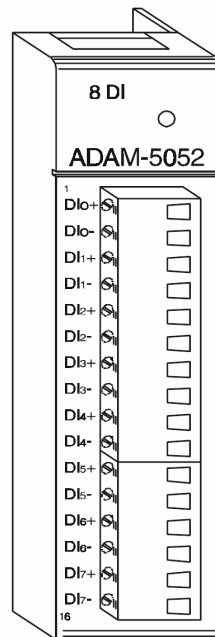
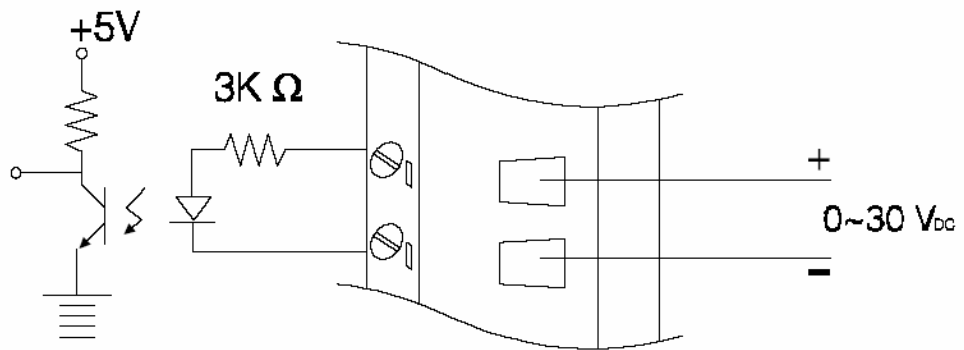


Figure 4.11 ADAM-5052 Module Front View

#### Application Wiring



#### Internal Logic

Figure 4.12 Isolation Digital Input (ADAM-5052)

Table 4.4: Technical Specifications of ADAM-5052	
Points	8 Differential
Digital input	Logic level 0: + 1 V max Logic level 1: + 3.5 to 30 V Isolation voltage: 5000 V <sub>RMS</sub> Resistance: 3 k-/ 0.5 W
Power consumption	0.4 W

### 4.1.5 ADAM-5053S 32-ch Isolated Digital Input Module

The ADAM-5053S provides 32 isolated digital input channels for critical environments need individual channel isolating protection. Different from other ADAM-5000 I/O modules, ADAM-5053S designed with 40-pin flat cable wiring terminal.

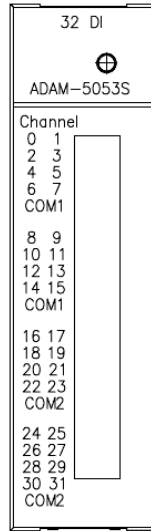


Figure 4.13 ADAM-5053S Module Front View

#### Application Wiring

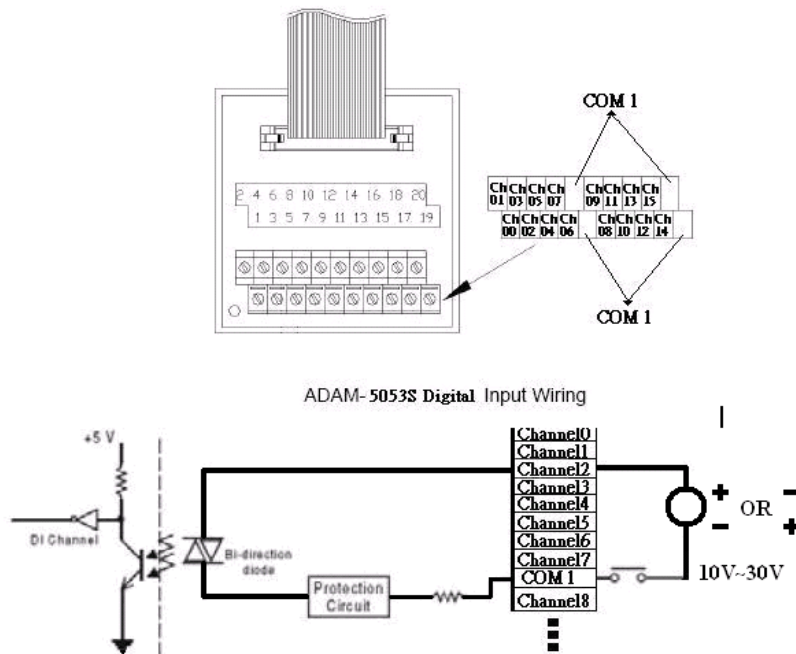


Figure 4.14 ADAM-5053S Module Wiring Diagram

**Table 4.5: ADAM-5053S Technical Specifications**

Point	32
Digital Input	Logic Level 0: + 5 V max Logic Level 1: 19 to 35 V
Optical Isolation	2500 VDC
Opto-isolator response time	25 $\mu$ s
Over-voltage Protection	35 VDC
Power Consumption	1 W (max.)
I/O Connector Type	40-pin flat cable wiring terminal

#### 4.1.6 ADAM-5055S 16-ch Isolated Digital I/O Module with LED

The ADAM-5056S provides 8 isolated digital input and 8 isolated output channels for critical environments need individual channel isolating protection. Different from other ADAM-5000 I/O modules, ADAM-5055S designed with 21 pins plug terminal.

##### ADAM-5055S

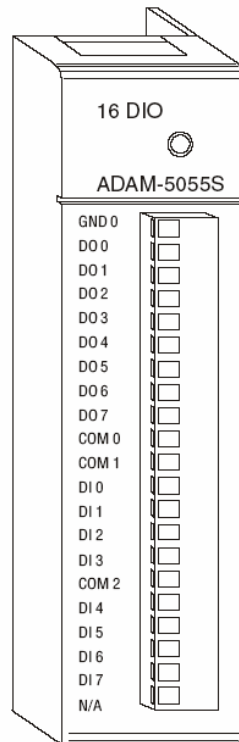


Figure 4.15 ADAM-5055S Module Front View

##### Application Wiring

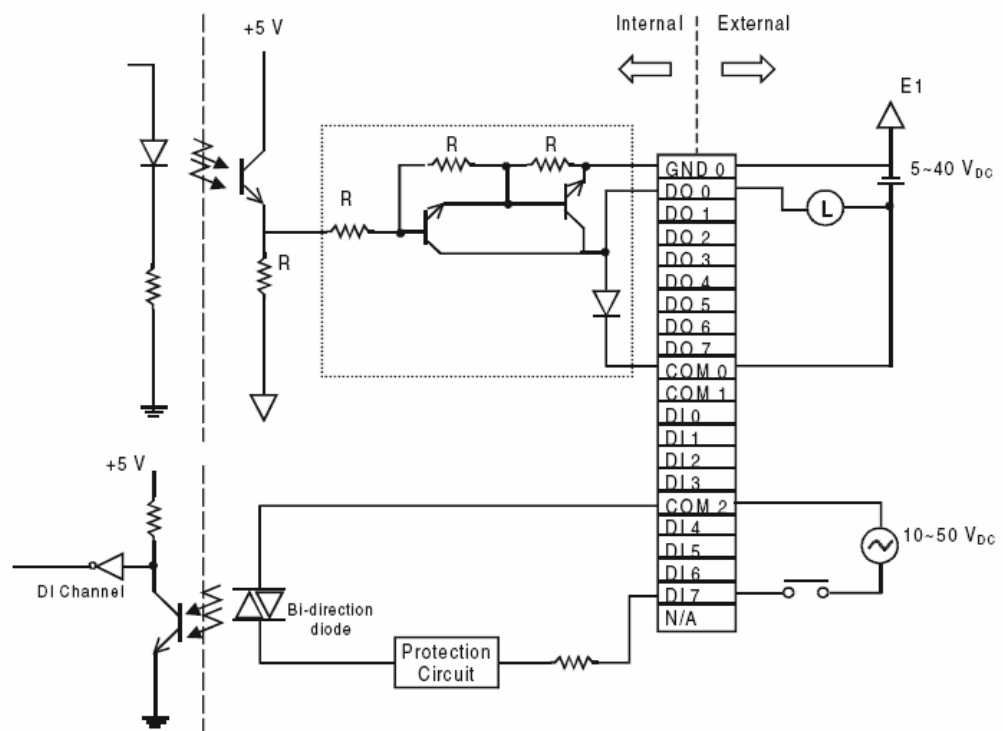


Figure 4.16 ADAM-5055S Module Wiring Diagram



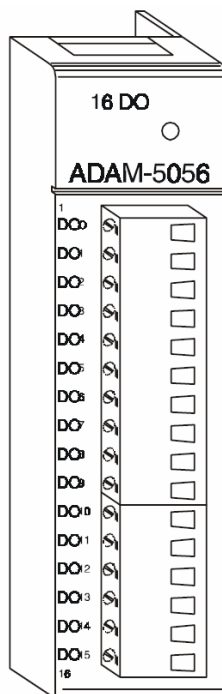
**Table 4.6: Technical Specifications of ADAM-5055S**

Points	16
Digital Output	8 (8-channel/group)
Open collector to 40 V	200 mA max load per channel
Optical Isolation	2500 V <sub>DC</sub>
Opto-isolator response time	25 μs
Supply Voltage	5 ~ 40 V <sub>DC</sub>
Digital Input	8 (4-ch/group) <b>Dry Contact</b> Logic Level 0: close to GND Logic Level 1: open <b>Wet Contact</b> Logic Level 0: + 3 V max Logic Level 1: + 10 to 50 V
Dry Contact & Wet contact	Selectable
Optical Isolation	2500 V <sub>DC</sub>
Opto-isolator response time	25 μs
Over-voltage Protect	70 V <sub>DC</sub>
Power Consumption	0.68 W
LED Indicator	On when active
I/O Connector Type	21-pin plug-terminal

#### 4.1.7 ADAM-5056(D) 16-ch Digital Output Module w/LED

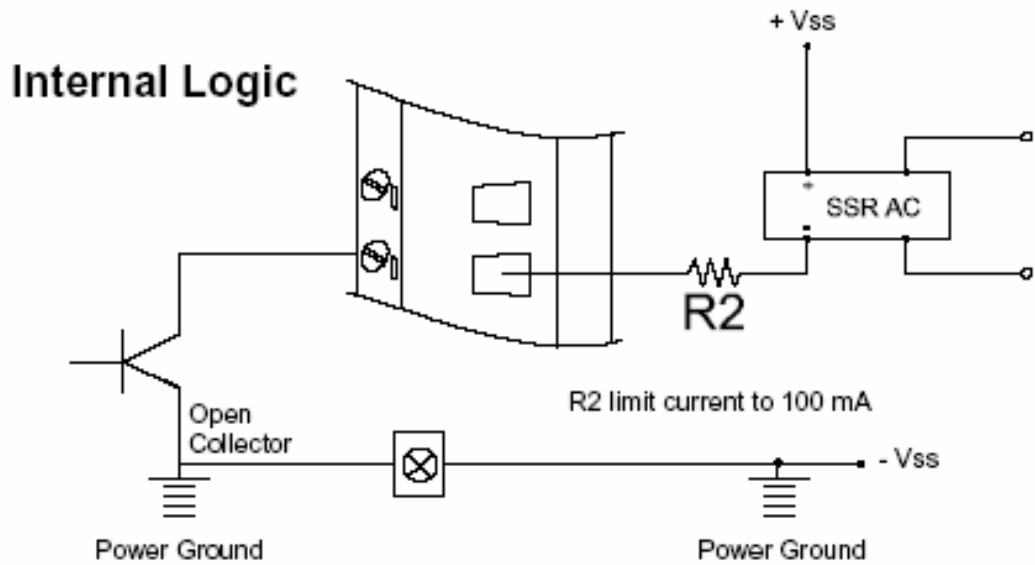
The ADAM-5056 features sixteen digital output channels. The digital outputs are open-collector transistor switches that you can control from the ADAM-5000 main unit. You also can use the switches to control solid-state relays.

##### ADAM-5056



**Figure 4.17 ADAM-5056 Module Frontal View**

## Application Wiring



**Figure 4.18 Digital Output with SSR (ADAM-5050/5056)**

There are 16-point digital input and 16-point digital output modules in the ADAM-5000 series. The addition of these solid state digital I/O devices allows these modules to control or monitor the interfaces between high power DC or AC lines and TTL logic signals. A command from the host converts these signals into logic levels suitable for the solid-state I/O devices.

**Table 4.7: Technical Specifications of ADAM-5056**

Points	16
Digital Output	Open collector to 30 V 100 mA max load
Power Dissipation	450 mW
Power Consumption	0.25 W

### 4.1.8 ADAM-5056S 16-ch Isolated Digital Output Module with LED

The ADAM-5056S provides 16 isolated digital output channels for critical environments need individual channel isolating protection. Different from other ADAM-5000 I/O modules, ADAM-5056S designed with 21 pins plug terminal.

#### ADAM-5056S

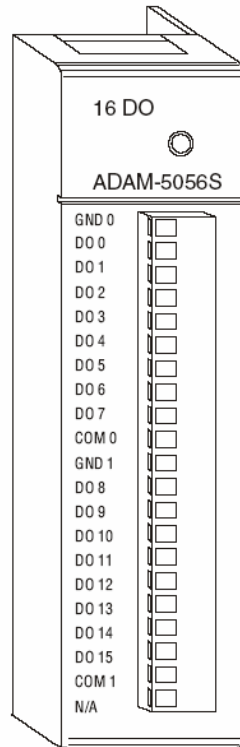


Figure 4.19 ADAM-5056S Module Front View

#### Application Wiring

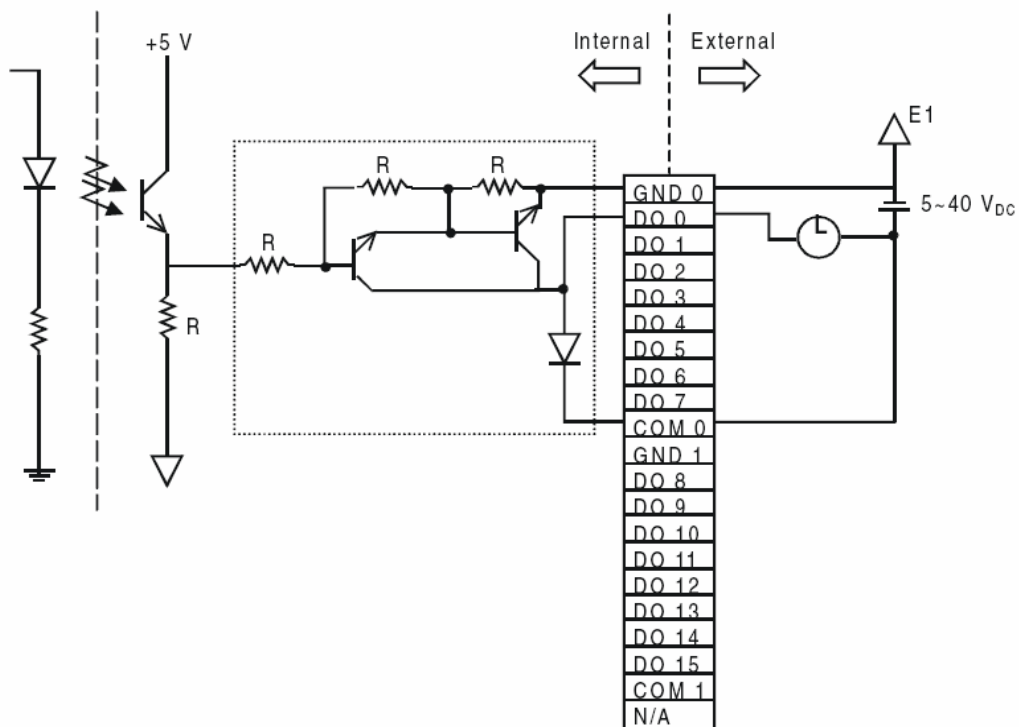


Figure 4.20 ADAM-5056S Module Wiring Diagram

<b>Table 4.8: Technical Specifications of ADAM-5056S</b>	
Points	16 (8-channel/group)
Digital Output	Open collector to 40 V 200 mA max load per channel
Optical Isolation	2500 V <sub>DC</sub>
Opto-isolator response time	25 μs
Supply Voltage	5 ~ 40 V <sub>DC</sub>
Power consumption	0.6 W
LED Indicator	On when active
I/O Connector Type	21-pin plug-terminal

#### 4.1.9 ADAM-5056SO 16-ch Isolated Digital Output Module with LED

The ADAM-5056SO provides 16 channels source type isolated digital output for critical environments need individual channel isolating protection. Addition to the source output wiring, all of the specification and command sets are the same with ADAM-5056S.

##### ADAM-5056SO

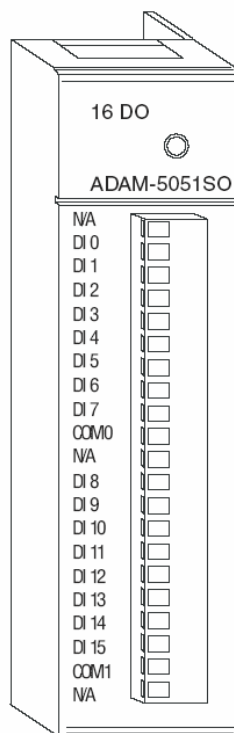
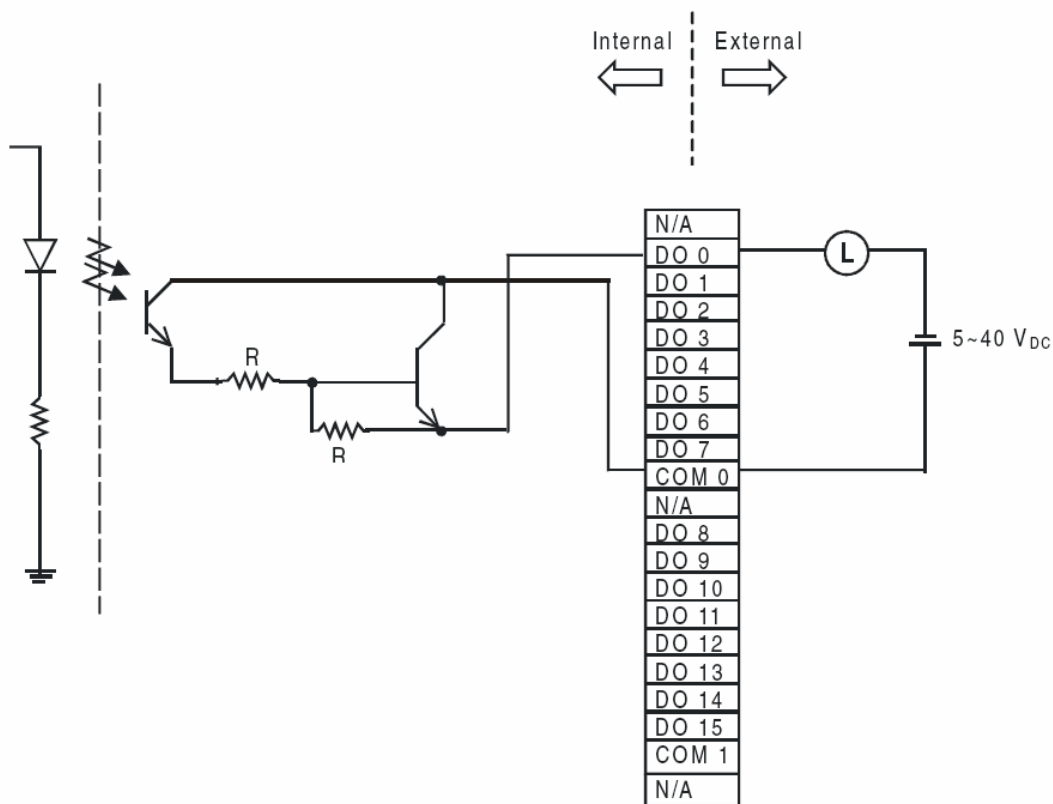


Figure 4.21 ADAM-5056SO Module Front View

### Application Wiring



**Figure 4.22 ADAM-5056SO Module Wiring Diagram**

<b>Table 4.9: Technical Specifications of ADAM-5056SO</b>	
Points	16 (8-ch/group)
Digital Output	Open collector to 40 V 200 mA max load per channel
Optical Isolation	2500 VDC
Opto-isolator response time	25 us
Supply Voltage	5 ~ 40 VDC
Power consumption	0.6 W
LED Indicator	On when active
I/O Connector Type	21-pin plug-terminal

## 4.1.10 ADAM-5057S 32-ch Isolated Digital Output Module

The ADAM-5057S provides 32 isolated digital output channels for critical environments need individual channel isolating protection. Different from other ADAM-5000 I/O modules, ADAM-5057S designed with 40-pin flat cable wiring terminal.

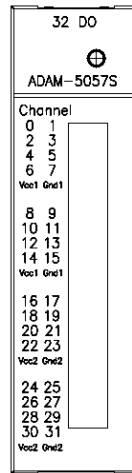


Figure 4.23 ADAM-5057S Module Front View

### Application Wiring

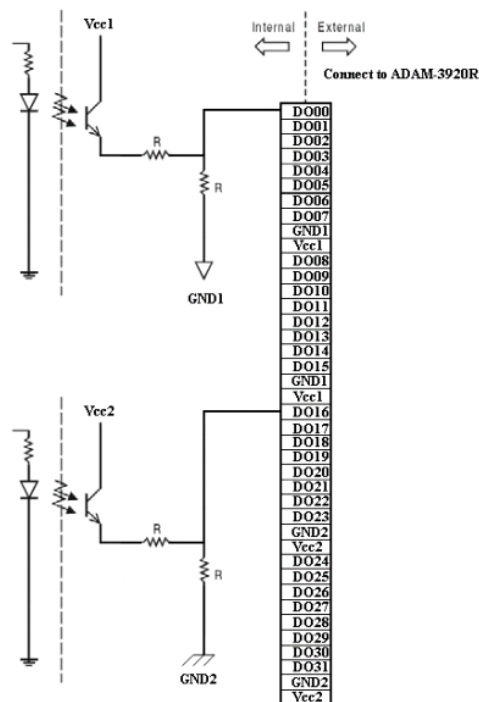


Figure 4.24 ADAM-5057S Module Wiring Diagram

**Table 4.10: ADAM-5057S Technical Specification**

Points	32
Digital Output	Contact with ADAM-3920R
Optical Isolation	2500 VDC
Contact Rating	10 A 250VAC, 10 A 30VDC
Power Input	+24 VDC
Power consumption	1 W (max.)
Relay Type	SPST (Form A)
I/O Connector Type	40-pin flat cable wiring terminal

# Chapter 5

## Relay Output Modules

## 5.1 Relay Output Modules

### 5.1.1 ADAM-5060 Relay Output Module

The ADAM-5060 relay output module is a low-cost alternative to SSR modules. It provides 6 relay channels, two of Form A and four of Form C.

#### ADAM-5060

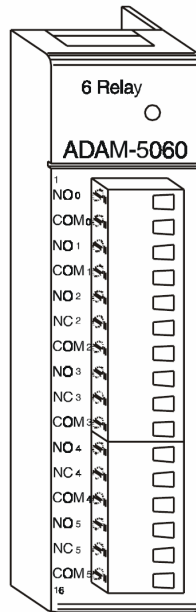


Figure 5.1 ADAM-5060 Module Frontal View

#### Application Wiring

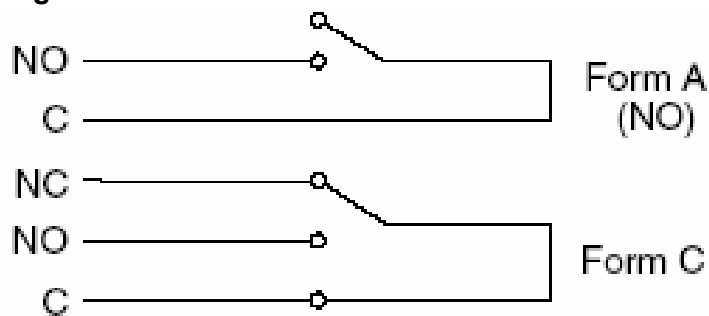


Figure 5.2 Relay Output

**Table 5.1: Technical Specifications of ADAM-5060**

Points	6, two Form A and four Form C
Contact rating	AC: 125 V @ 0.6A; 250 V @ 0.3 A DC: 30 V @ 2 A; 110 V @ 0.6 A
Breakdown voltage	500 V <sub>AC</sub> (50/60 Hz)
Relay on time (typical)	3 ms
Relay off time (typical)	1 ms
Total switching time	10 ms
Insulation resistance	1000 M- min. @ 500 V <sub>DC</sub>
Power consumption	0.7 W



## ADAM-5068 Relay Output Module

The ADAM-5068 relay output module provides 8 relay channels of Form A. Switches can be used to control the solid-state relays.

### ADAM-5068

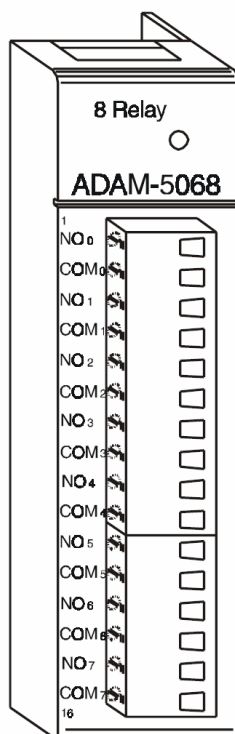


Figure 5.3 ADAM-5068 Module Front View

### Application Wiring

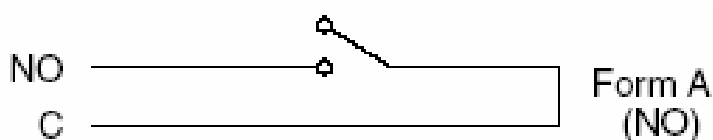


Figure 5.4 Relay Output

**Table 5.2: Technical Specifications of ADAM-5068**

Points	8 Form A
Contact Rating	AC: 120 V @ 0.5 A DC: 30 V @ 1 A
Breakdown Voltage	500 V <sub>AC</sub> (50/60 Hz)
Relay On Time (typical)	7 msec.
Relay Off Time (typical)	3 msec.
Total Switching Time	10 msec.
Power Consumption	2.0 W

## ADAM-5069 Relay Output Module

The ADAM-5069 relay output module provides 8 relay channels of Form A. Switches can be used to control the relays. Considered to user friendly, the ADAM-5069 also built with LED indicator for status reading easily. And it also provides a choice to clear or keep output status when reset by adjusting a jumper.

### Specifications

Number of Output Channel: 8 Form A

Contact Rating: AC: 250V@5A

DC: 30V@5A

Breakdown Voltage: 750 VAC (50/60 Hz)

Insulation Resistance: 1000M $\Omega$ @500VDC

LED Indicator: On: Active

Off: Non-active

Power Consumption: 0.25W (typical) 2.2W (Max)

Isolation Resistance: 4000 VRMS

Relay response Time: On:5 ms

Off: 5.6 ms

Clear or Keep Relay Status when reset (selectable by jumper)

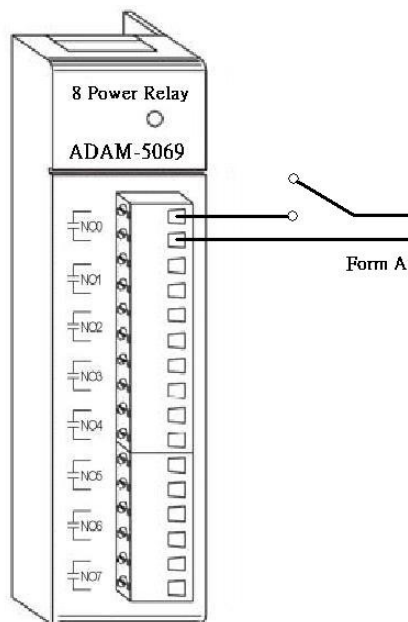


Figure 5.5 ADAM-5069 Module Front View Wiring

# Chapter 6

Counter/Frequency  
Modules

## 6.1 Counter/Frequency Modules

### Compatible ADAM-5000 Series Main Units

ADAM-5080 is a 4-channel counter/frequency module designed to be implemented within the following Advantech ADAM-5000 series main units:

- ADAM-5000/485
- ADAM-5510
- ADAM-5511
- ADAM-5510M
- ADAM-5510E
- ADAM-5510/TCP
- ADAM-5510E/TCP

**Note!** Please make sure that the ADAM-5080 counter/frequency module is properly inserted into the compatible main units.



### 6.1.1 ADAM-5080 4-ch Counter/Frequency Module

With ADAM-5080 4-Channel Counter/Frequency Module, users can select either counter or frequency mode for data output. ADAM-5080 offers users a variety of very flexible and versatile applications such as below:

#### Counter Mode or Frequency Mode

If you want to measure the number of input signals for totalizer function, you may use counter mode to measure quantities such as movement and flow quantity. Alternatively, you can also select frequency mode to calculate the instantaneous differential of quantities such as rotating speed, frequency or flow rate, and present them in specific engineering formats.

#### Up/Down or Bi-direction Function

When operating in counter mode, you can choose either the Up/Down function or the Bi-direction function for different application purposes. The counter will count up or down according to your applications. This counting function helps users obtain the most accurate data.

#### Alarm Setting Function

While in counter mode, you can set alarm status--Disable and Latch. If you want to disable it, you can select Disable. If Latch status is selected, it means the Alarm status will be "latched" whenever the alarm is being triggered. Once the alarm status being "latched," it will thereafter stay in that triggered state. Users will have to issue a "Clear Alarm Status" command to return the "latched" alarm status back to normal. Users can designate the high-limit value and low-limit value to regulate your alarm behavior through the utility program.

#### Digital Output Mapping

Users can either run the utility program or issue a "Set Alarm Connection" command to designate a specific digital output module for the alarm signal to be sent through.

### ADAM-5080 Module Diagram

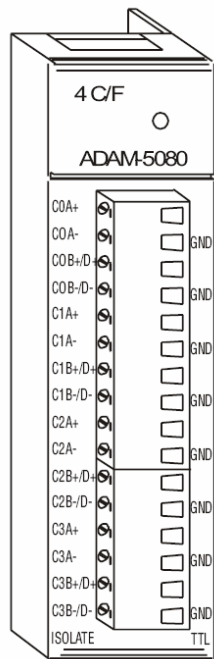


Figure 6.1 ADAM-5080 Module

### ADAM-5080 Application Wiring

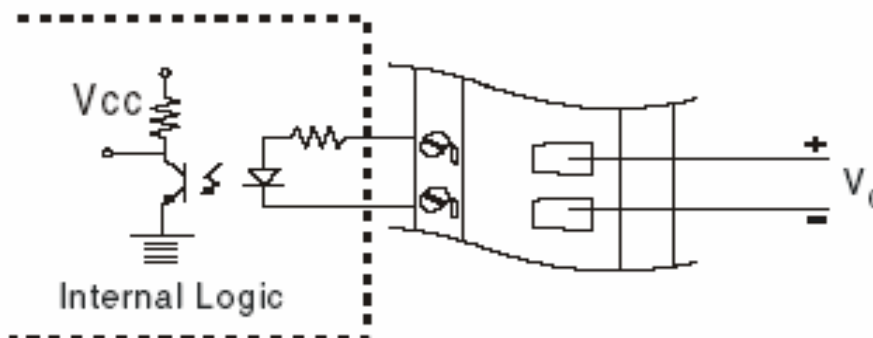


Figure 6.2 Isolated Input Level

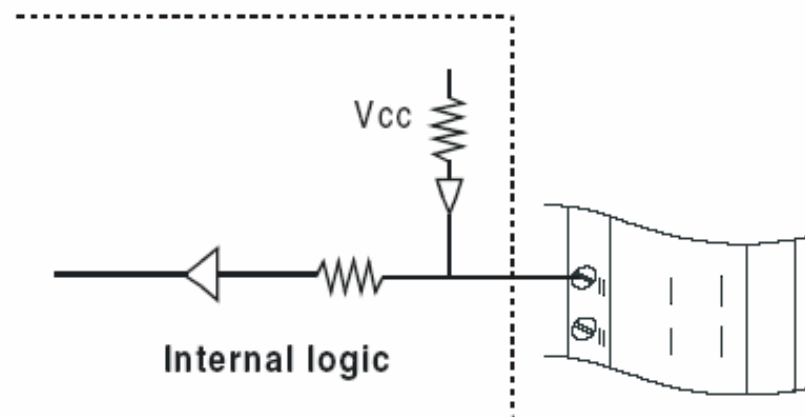


Figure 6.3 TTL Input Level

## ADAM-5080 Counter/Frequency Mode Selection

Users can select Bi-direction, Up/Down, Counter or Frequency options as shown below.

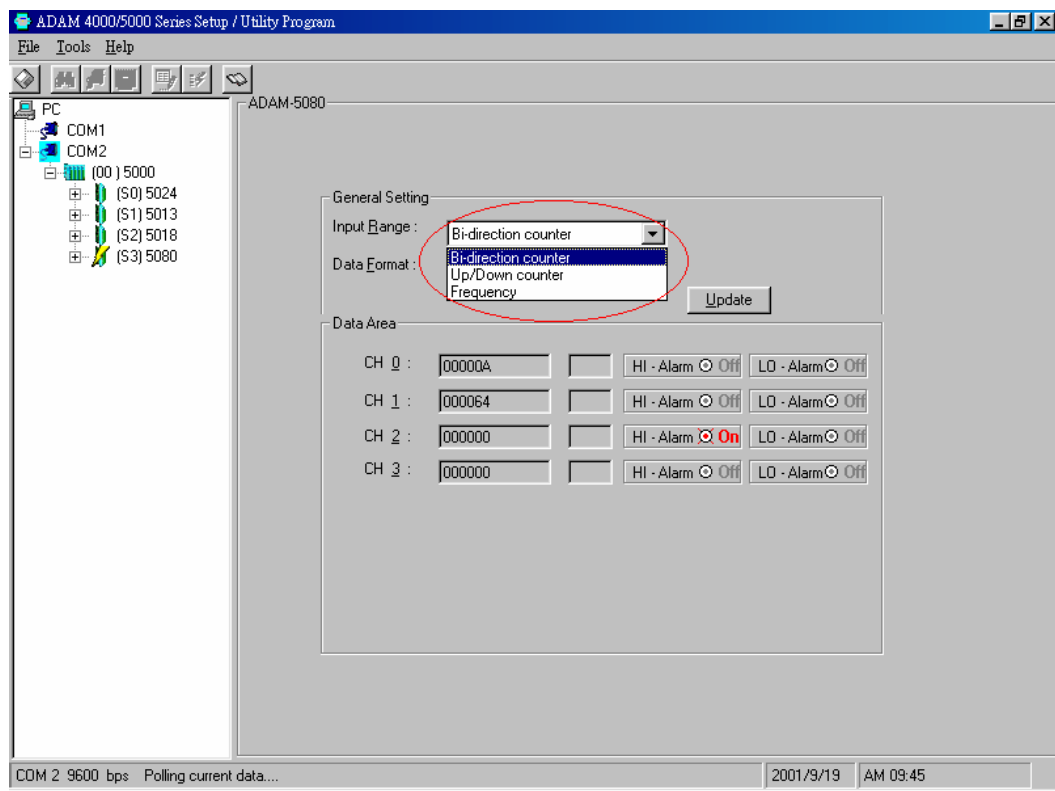


Figure 6.4 Counter / Frequency Mode

**Note!** *All four channels of ADAM-5080 will operate simultaneously in the mode you have selected. i.e. If you switch the ADAM-5080 to Counter Mode, all four channels will operate in Counter Mode.*

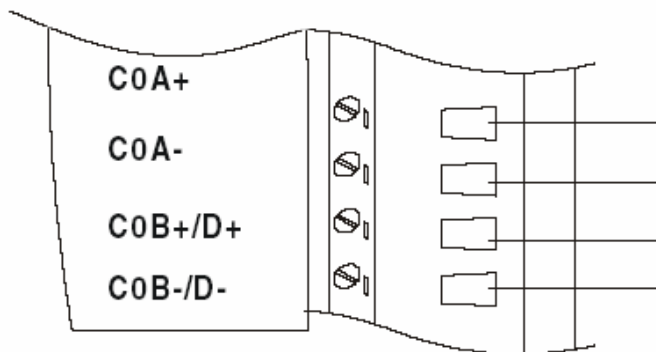


## Features -- Counter Mode

### Up/Down Counting

The Up/Down Counter Function offers two types of counting: Up Counting (increasingly) and Down Counting (decreasingly). Up Counting: when C0A+ and C0A- sense any input signals, the counter counts up.

Down Counting: when C0B+ and C0B- sense any input signals, the counter counts down. On receiving Up and Down signal simultaneously, the counter will not perform each specific counting accordingly, but will remain at the previous counting value, since these simultaneous signals won't have any effect on counting values.

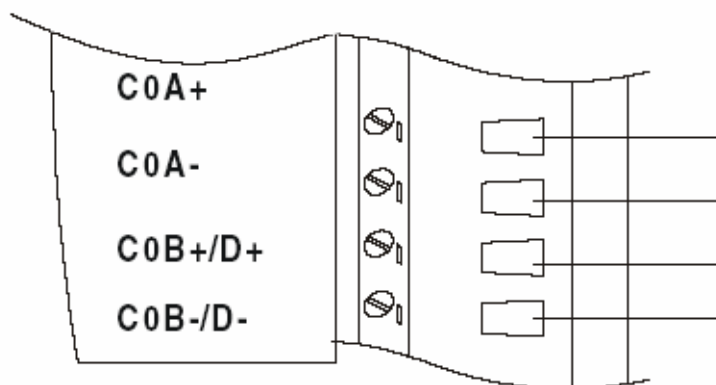


**Figure 6.5 Wiring for Up/Down Counting**

**Note!** *If you need only one type of counting, connect C0A+ and C0A- for Up Counting only; or connect C0B+ and C0B- for Down Counting only.*

### Bi-direction Counting

For implementing Bi-direction Counting, you need to connect C0B+/D+ and C0B-/D- to implement the control function for Up/Down Counting. Up Counting: when the input signal is within logic level "1", the counter value increases.



**Figure 6.6 Wiring for Bi-direction Counting**

Down Counting: when the input signal is within logic level "0", the counter value decreases.

**Note!** *If users select TTL mode and don't connect C0B+ C0B-, the counter value will increase. If users select Isolated mode and don't connect C0B+ C0B-, the counter value will decrease.*

### Features -- Frequency Mode

If users want to select frequency mode, they can only utilize Up Counting type, and can only connect to C0A+ and C0A-.

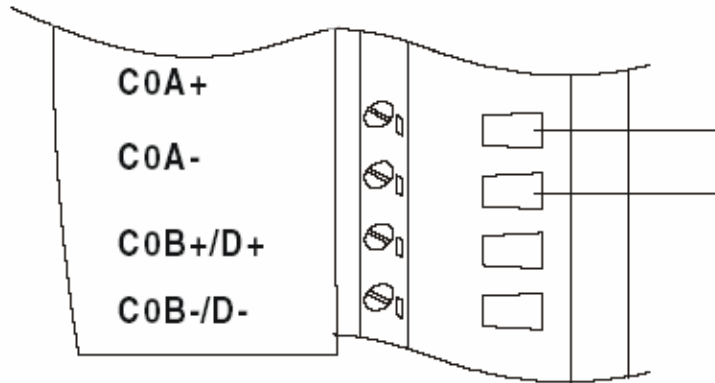


Figure 6.7 Wiring for Frequency Mode

### Features -- Alarm Setting

According to your application purposes, you can run the utility program to set different limit values for High/Low Alarm.

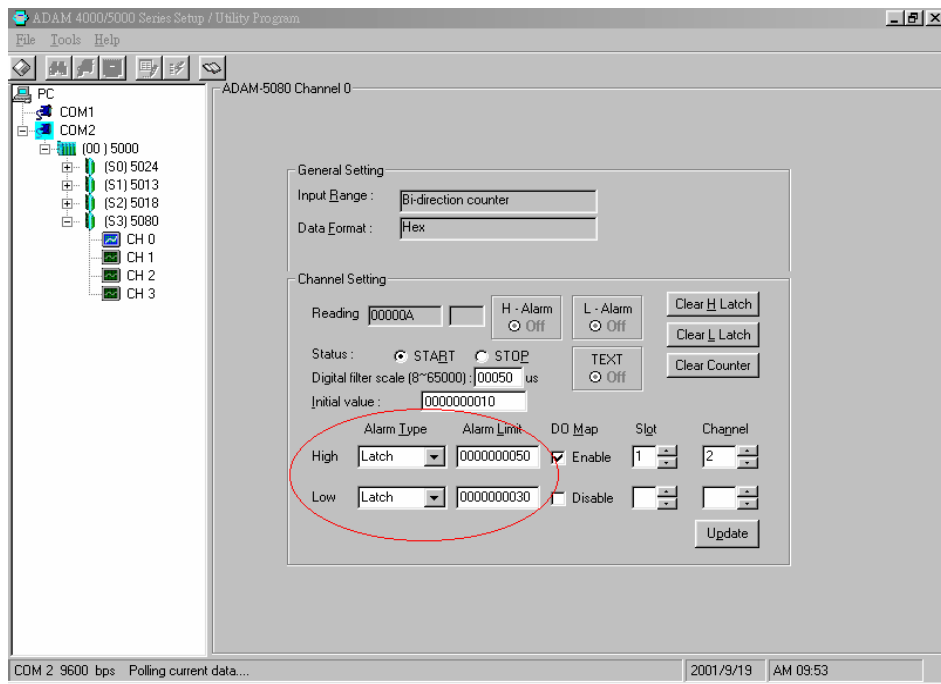
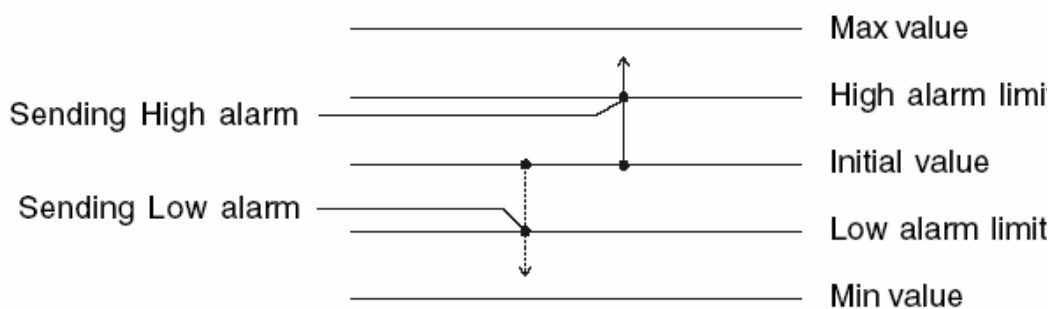


Figure 6.8 Setting Alarm Limit

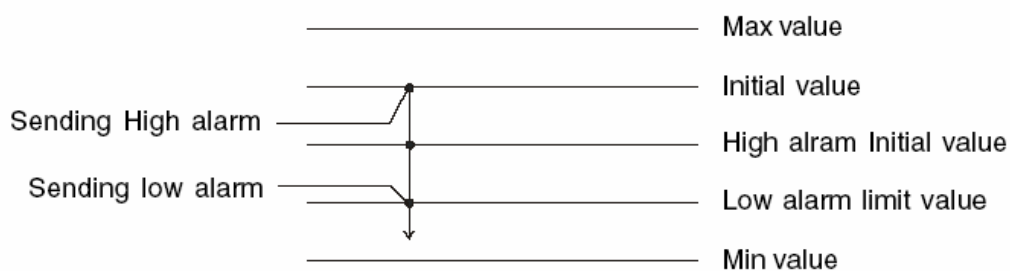
### Setting Initial Counter Value

In order to utilize the alarm, users have to set a high-alarm limit value and/or a low alarm limit value, and a initial value to fulfill the requirements for a basic alarm setting.





**Figure 6.9 Sending Alarm Signal (Recommended Settings)**



**Figure 6.10 Sending Alarm Signal (Not Recommended)**

### Overflow Value

Overflow value is the number of times the counter value exceeds the Max/Min values you specified. When the counter value exceeds Maximum value, the overflow value increases; when the counter value goes under Minimum value, the overflow value decreases. Besides, when the counter value runs beyond the range of Max/Min value, it will continue counting from the initial value. Furthermore, if users want to check the counter value to see if it is higher or lower than the Max/Min value, they can use the "ReadOverflowFlag" library to gain readout of the overflow value.

### Getting the Totalizer Value

If users want to get the actual counter value, a formula such as follows can facilitate an easy calculation from the initial counter value, overflow value and current counter value:

$$V_{tol} = \{|V_{ini} - V_{min} \text{ (or } V_{max})| + 1\} \times |V_{vf}| + |V_{ini} - V_{cur}|$$

$V_{tol}$  : totalizer value

$V_{ini}$  : initial counter value

$V_{min}$  : min. counter value = 0 (fixed value)

$V_{max}$  : max. counter value =  $2^{32} = 4,294,967,295$  (fixed value)

$V_{vf}$  : overflow value

$V_{cur}$  : current counter value

Example: If the initial value = 10, overflow value = 4, min. value = 0, current counter value = 3, the totalizer value could be Totalizer value =  $\{|10 - 0| + 1\} \times 4 + |10 - 3| = 51$

## Features--Digital Output Mapping

If users want to use Digital Output function, ADAM utility is available for setting specifically which module, channel or slot to receive the alarm signals.

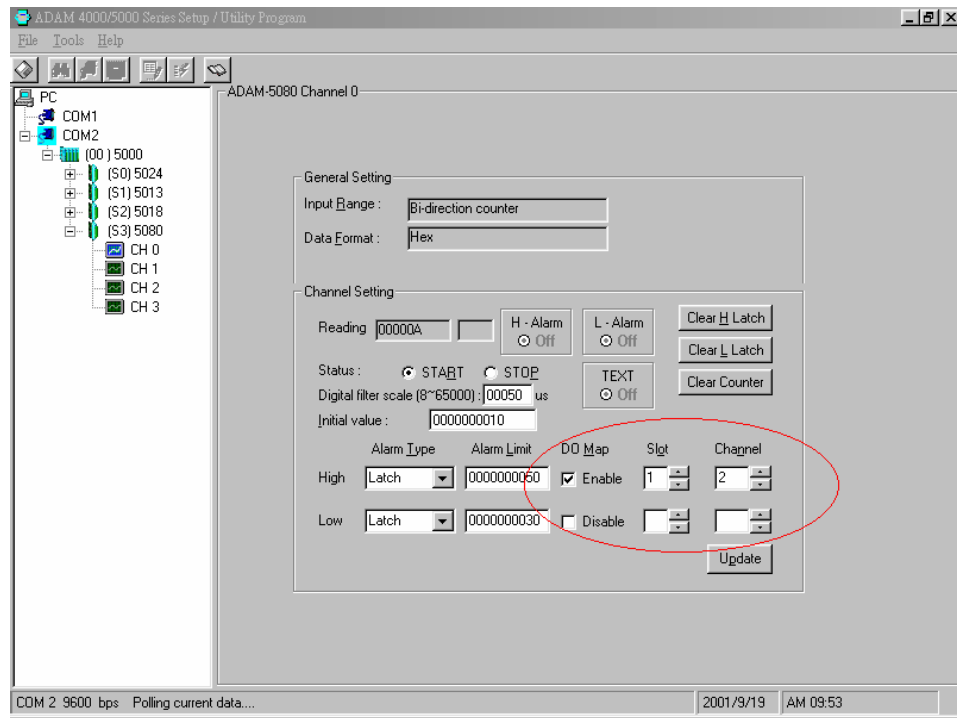
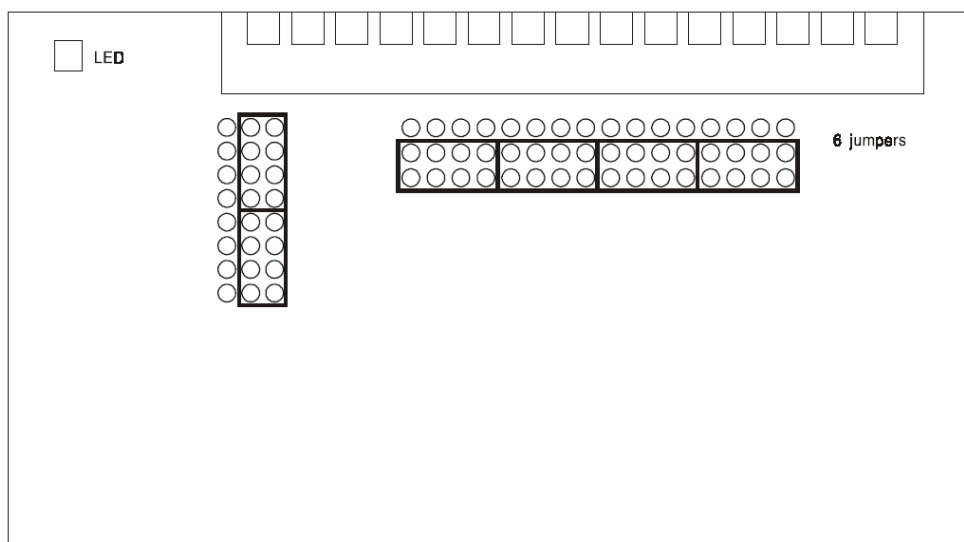


Figure 6.11 Digital Output Mapping

1. High Alarm State--Set Alarm state to "Latch" or "Disable".
2. High Alarm Limit--Set Alarm limit from 0 to 4,294,967,295.
3. High Alarm Output Mode--Enable or Disable D.O. Mapping.
4. High Alarm Output Slot--Users can select D.O Modules such as ADAM-5050, ADAM-5055, ADAM-5056, ADAM-5060, ADAM-5068.
5. High Alarm Output Channel--Select Alarm Output Channel
6. Clear Latch Alarm--Users can select "Enable" or "Disable" option. When selecting "Enable", the latch will be relieved and the alarm state will return to normal. Once the alarm state returns to normal, the Clear Latch Alarm will return to "Disable".

## TTL/Isolated Input Level

According to your need, you can select either TTL or Isolated Input Level by setting the configuration for the jumpers. Select the proper jumper settings for either TTL or Isolated Input according to Figure 53. Please note that you must configure all six jumpers to the correct configuration for proper function.



**Figure 6.12 Jumper Location on the ADAM-5080 Module**



TTL Input Level

Isolated Input Level

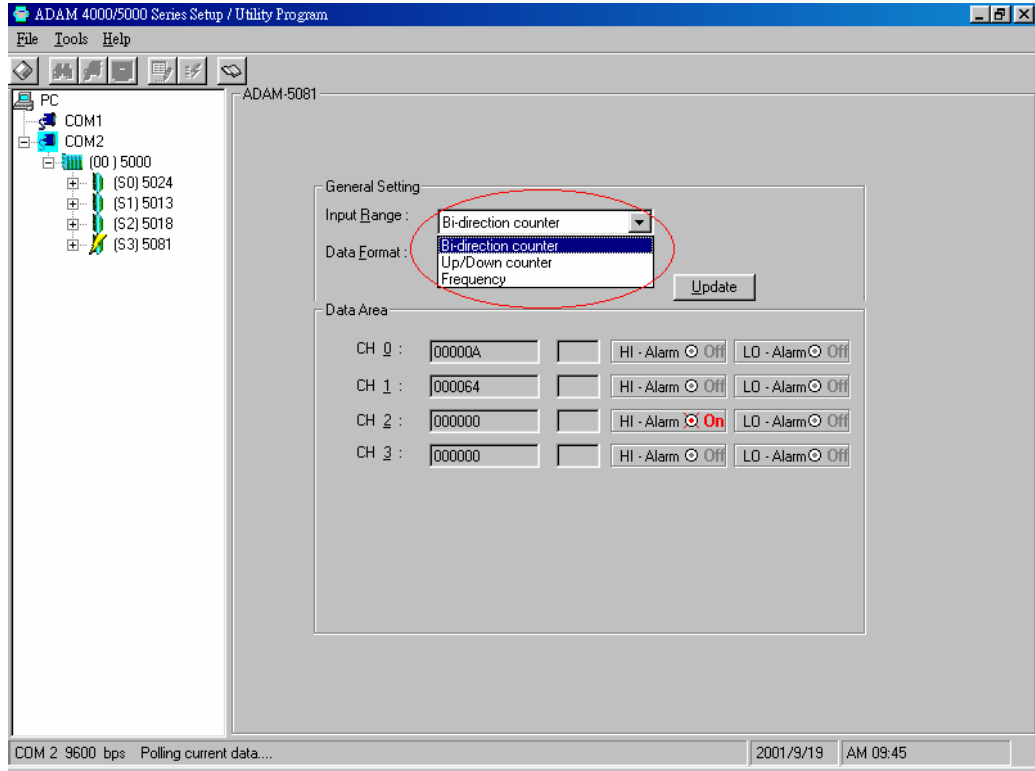
**Figure 6.13 TTL/Isolated Input Level Selection**

<b>Table 6.1: ADAM-5080 Technical Specifications</b>	
Channel	4
Input Frequency	0.3 ~ 1000 Hz max. (Frequency mode) 5000 Hz max. (Counter mode)
Input Level	Isolated or TTL level
Minimum Pulse Width	500 μ sec. (Frequency mode) 100 μ sec. (Counter mode)
Minimum Input Current	2mA (Isolated)
Isolated Input Level	Logic Level 0 : +1 V <sub>MAX</sub> Logic Level 1 : + 3.5 V to 30 V
TTL Input Level	Logic Level 0 : 0 V to 0.8 V Logic Level 1 : 2.3 to 5 V
Isolated Voltage	1000 V <sub>RMS</sub>
Mode	Counter (Up/Down, Bi-direction) Frequency
Programmable Digital Noise Filter	8 ~ 65000 μ sec

## ADAM-5081 4-ch High Speed Counter/Frequency Mode Selection

Users can select Bi-direction, Up/Down Counter or Frequency option as shown below.

**Note!** This high speed module is only for ADAM-5550 Series and ADAM-5000/485, ADAM-5000E.



**Figure 6.14 Counter / Frequency Mode**

**Note!** All four channels of ADAM-5081 will operate simultaneously in the mode you have selected. i.e. If you switch the ADAM-5081 to Counter Mode, all four channels will operate in Counter Mode.



## Features -- Counter Mode

### Up/Down Counting

The Up/Down Counter Function offers two types of counting: Up Counting (increasingly) and Down Counting (decreasingly). Up Counting: when C0A+ and C0A- sense any input signals, the counter counts up.

Down Counting: when C0B+ and C0B- sense any input signals, the counter counts down. On receiving Up and Down signal simultaneously, the counter will not perform each specific counting accordingly, but will remain at the previous counting value, since these simultaneous signals won't have any effect on counting values.

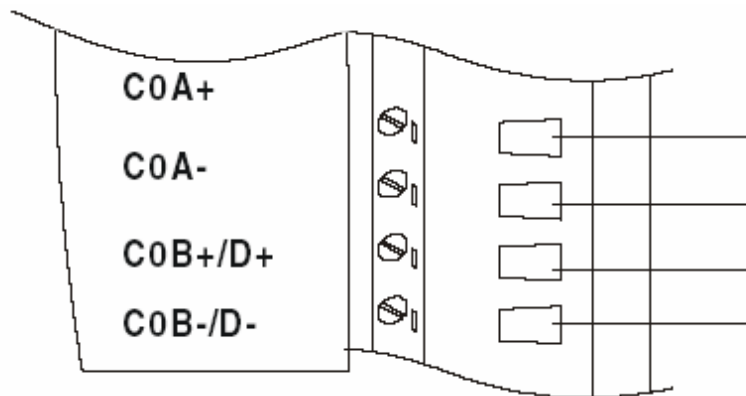


Figure 6.15 Wiring for Up/Down Counting

**Note!** *If you need only one type of counting, connect C0A+ and C0A- for Up Counting only; or connect C0B+ and C0B- for Down Counting only.*



### Bi-direction Counting

For implementing Bi-direction Counting, you need to connect C0B+/D+ and C0B-/D- to implement the control function for Up/Down Counting. Up Counting: when the input signal is within logic level "1", the counter value increases.

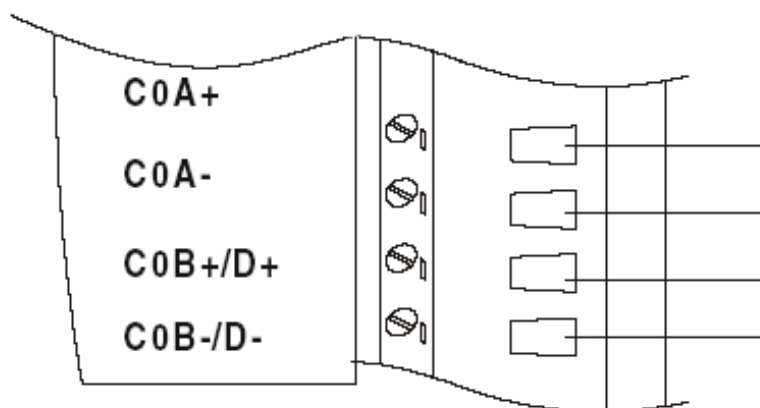


Figure 6.16 Wiring for Bi-direction Counting

Down Counting: when the input signal is within logic level "0", the counter value decreases.

**Note!** If users select TTL mode and don't connect C0B+ C0B-, the counter value will increase. If users select Isolated mode and don't connect C0B+ C0B-, the counter value will decrease.



### Features -- Frequency Mode

If users want to select frequency mode, they can only utilize Up Counting type, and can only connect to C0A+ and C0A-.

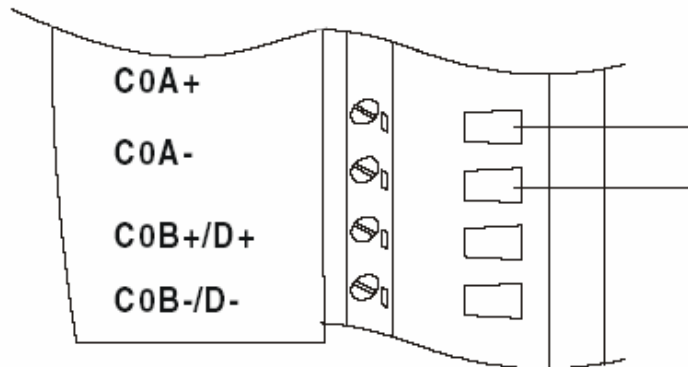


Figure 6.17 Wiring for Frequency Mode

### Features -- Alarm Setting

According to your application purposes, you can run the utility program to set different limit values for High/Low Alarm.

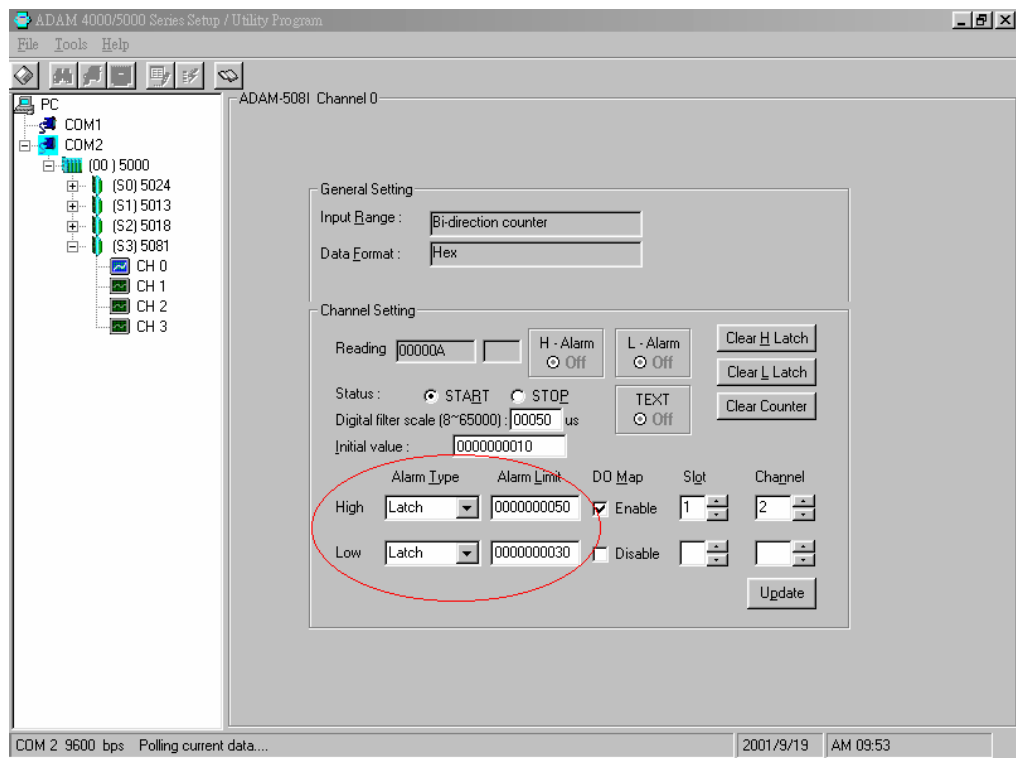


Figure 6.18 Setting Alarm Limit

### Setting Initial Counter Value

In order to utilize the alarm function, users have to set a high-alarm limit value and/or a low alarm limit value, and an initial value to fulfill the requirements for a basic alarm setting.

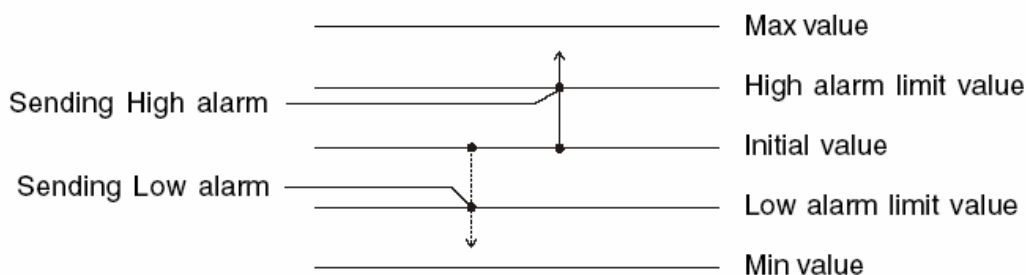


Figure 6.19 Sending Alarm Signal (Recommended Settings)

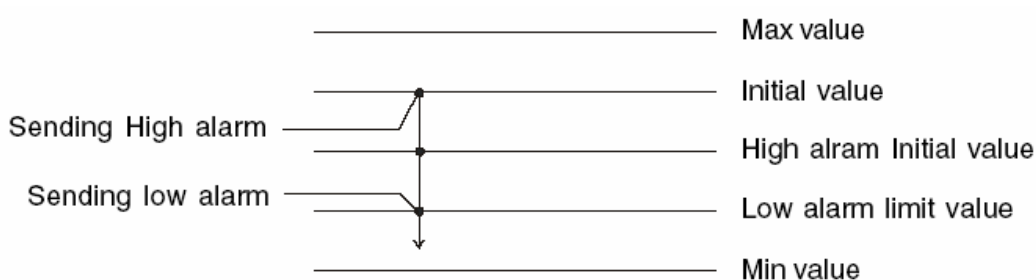


Figure 6.20 Sending Alarm Signal (Not Recommended)

### Overflow Value

Overflow value is the number of times the counter value exceeds the Max/Min values you specified. When the counter value exceeds Maximum value, the overflow value increases; when the counter value goes under Minimum value, the overflow value decreases. Besides, when the counter value runs beyond the range of Max/Min value, it will continue counting from the initial value. Furthermore, if users want to check the counter value to see if it is higher or lower than the Max/Min value, they can use the "ReadOverflowFlag" library to gain readout of the overflow value.

### Getting the Totalizer Value

If users want to get the actual counter value, a formula such as follows can facilitate an easy calculation from the initial counter value, overflow value and current counter value:

$$V_{\text{tol}} = \{|V_{\text{ini}} - V_{\text{min}} \text{ (or } V_{\text{max}}) | + 1\} \times |V_{\text{vf}}| + |V_{\text{ini}} - V_{\text{cur}}|$$

$V_{\text{tol}}$  : totalizer value

$V_{\text{ini}}$  : initial counter value

$V_{\text{min}}$  : min. counter value = 0 (fixed value)

$V_{\text{max}}$  : max. counter value =  $2^{32} = 4,294,967,295$  (fixed value)

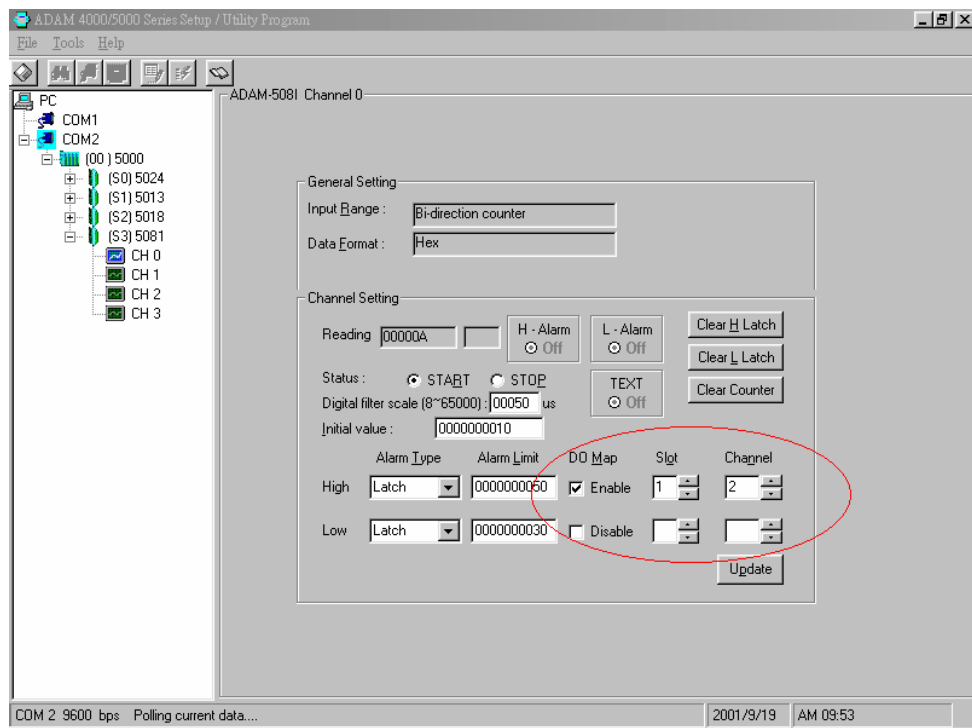
$V_{\text{vf}}$  : overflow value

$V_{\text{cur}}$  : current counter value

Example: If the initial value =10, overflow value =4, min. value = 0, current counter value = 3, the totalizer value could be Totalizer value =  $\{|10 - 0| + 1\} \times 4 + |10 - 3| = 51$

## Features--Digital Output Mapping

If users want to use Digital Output function, ADAM utility is available for setting specifically which module, channel or slot to receive the alarm signals.



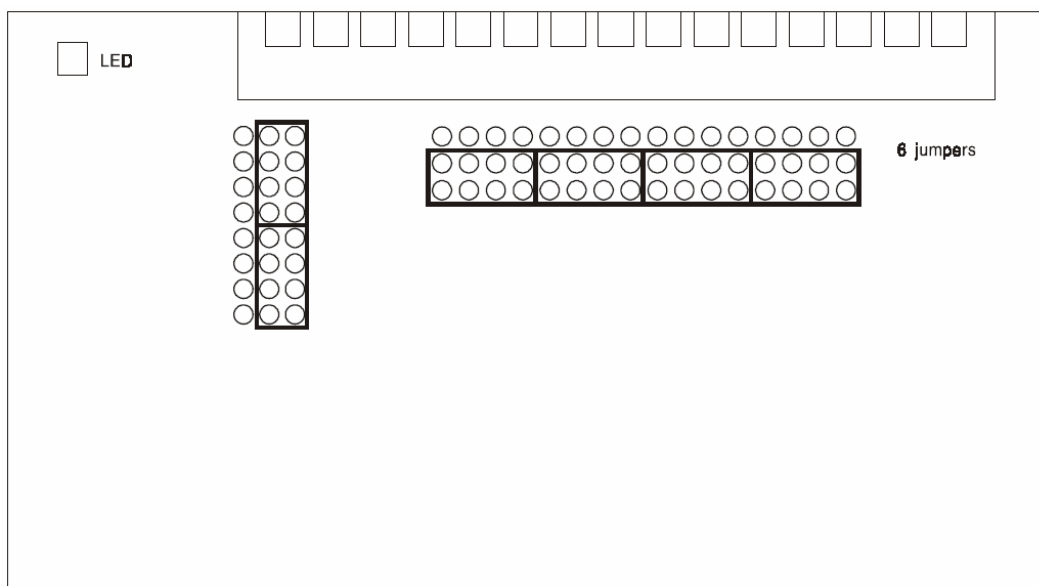
**Figure 6.21 Digital Output Mapping**

1. High Alarm State--Set Alarm state to "Latch" or "Disable".
2. High Alarm Limit--Set Alarm limit from 0 to 4,294,967,295.
3. High Alarm Output Mode--Enable or Disable D.O. Mapping.
4. High Alarm Output Slot--Users can select D.O Modules such as ADAM-5050, ADAM-5055, ADAM-5056, ADAM-5060, ADAM-5068 for the alarm signal to be sent through.
5. High Alarm Output Channel--Select Alarm Output Channel
6. Clear Latch Alarm--Users can select "Enable" or "Disable" option. When selecting "Enable", the latch will be relieved and the alarm state will return to normal. Once the alarm state returns to normal, the Clear Latch Alarm will return to "Disable".

## TTL/Isolated Input Level

According to your need, you can select either TTL or Isolated Input Level by setting the configuration for the jumpers. Select the proper jumper settings for either TTL or Isolated Input according to Figure 63. Please note that you must configure all six jumpers to the correct configuration for proper function.





**Figure 6.22 Jumper Location on the ADAM-5081 Module**

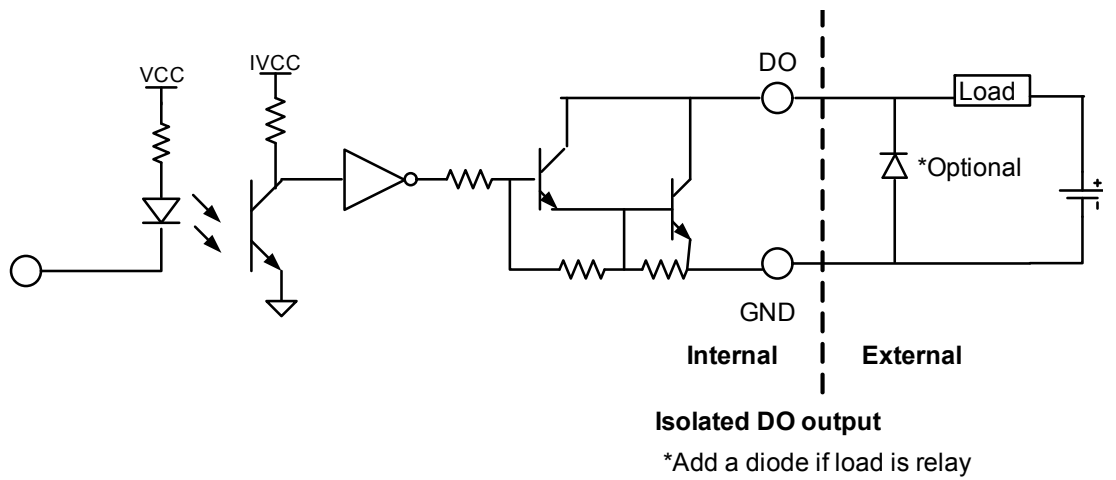
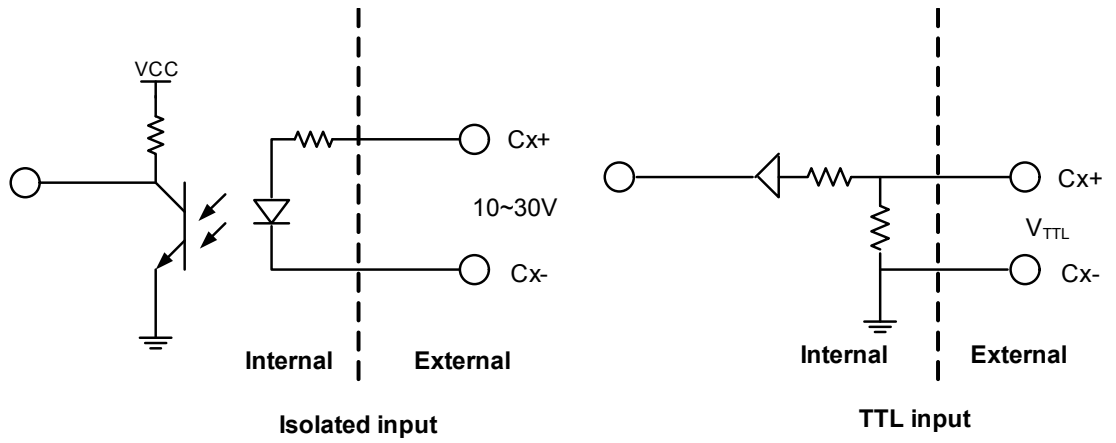


TTL Input Level

Isolated Input Level

**Figure 6.23 TTL/Isolated Input Level Select**

<b>Table 6.2: ADAM-5081 Technical Specifications</b>	
Channel	4
Input Frequency	5 Hz~1 MHz max. (Frequency mode) 1 MHz max. (Counter mode)
Input Level	Isolated or TTL level
Minimum Pulse Width	1 $\mu$ sec. (Frequency mode) 1 $\mu$ sec. (Counter mode)
Minimum Input Current	2mA (Isolated)
Isolated Input Level	Logic Level 0 : +3 V <sub>MAX</sub> Logic Level 1 : + 10 V to 30 V
TTL Input Level	Logic Level 0 : 0 V to 0.8 V Logic Level 1 : 2.3 to 5 V
Isolated Voltage	2500 V <sub>RMS</sub>
Mode	Counter (Up/Down, Bi-direction, up, A/B Phase) Frequency
Programmable Digital Noise Filter	1 ~ 65000 $\mu$ sec



# Chapter 7

Serial Modules

## 7.1 Serial Modules

### Compatible ADAM-5000 Series Main Units

The ADAM-5090 is a 4-port RS-232 communication module to be implemented with the following Advantech ADAM-5000 series main units: ADAM-5510 (with library Version V1.10 or above) ADAM-5511 (with library Version V1.10 or above)

### 7.1.1 ADAM-5090 4-port RS-232 Communication Module

#### Bi-direction Communication

The ADAM-5090 is equipped with four RS-232 ports, which makes it especially suitable for bi-direction communication. It can simultaneously read data from other third-party devices such as Bar Code and PLC as long as these devices are equipped with a RS-232 interface. Furthermore, the ADAM-5090 can issue commands to control other devices. It is fully integrated with the ADAM-5000, ADAM-5500 and ADAM-4000 series, and transmits data to each other through the RS-232 port. The whole integrated system is an intelligent stand-alone system and can connect and issue commands to control devices such as printers and PLCs in remote factory location.

The ADAM-5090 transmits and receives data by polling communication, and each port can receive up to 128 bytes in the FIFO. For continuous data longer than 128 bytes, please refer to Table 20 for Baud Rate setting to avoid data loss.

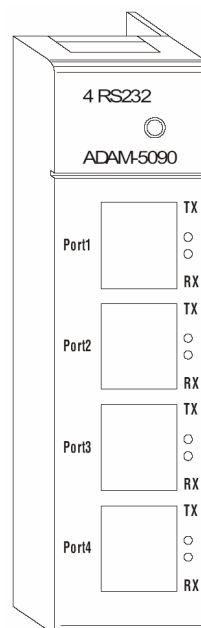
**Table 7.1: Baud Rate Settings**

Baud Rate (bps)	115200	57600	38400	19200	9600	4800	2400
Polling interval (ms)	11.11	22.22	33.33	66.66	133.33	266.66	533.33

#### Communication Backup Function

With the ADAM-5090 you can implement dual communication channels between your PC and the ADAM system. Even when one of the two communication channels is down, your system can still function through the alternative communication channel. This dual communication channels can be implemented by application software.

#### ADAM-5090 Module Diagram



**Figure 7.1 ADAM-5090 Module**

## ADAM-5090 Application Wiring

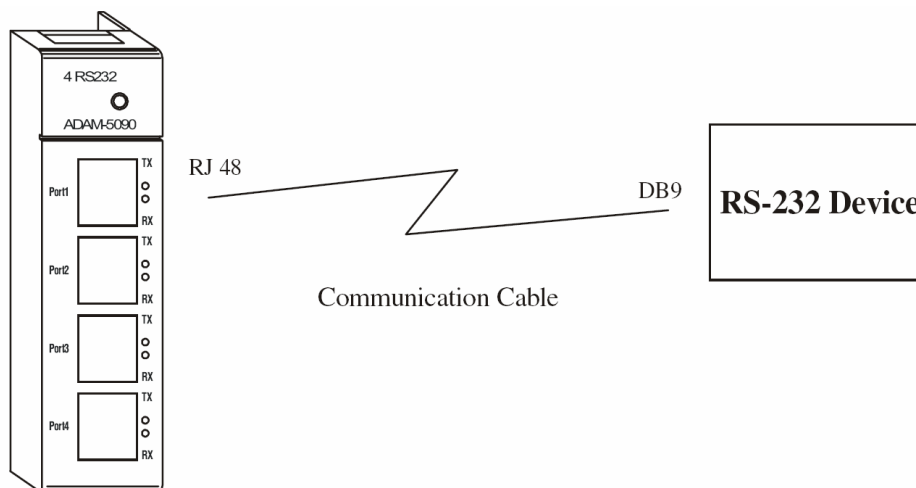


Figure 7.2 ADAM-5090 Application Wiring

Table 7.2: Pin Mapping

PIN Name	RJ-48	DB9
/DCD	1	1
RX	2	2
TX	3	3
/DTR	4	4
GND	5	5
/DSR	6	6
/RTS	7	7
/CTS	8	8
RI or +5V	9	9
GND	10	X

Table 7.3: ADAM-5090 Technical Specifications

Function	Provides communication ports for the ADAM-5510 to integrate other devices with communication function into your system
Electrical Interface	4 ports (RS-232)
Communication Rates	4800, 9600, 19200, 38400, 115200bps
FIFO	128 bytes/per UART (Tx/Rx)
Indicator	Tx (Orange), Rx (Green)
Power Required	100mA @ 5V <sub>DC</sub> Default in RI mode (*)

User can define the communication ports with 5VDC output by switching the jumper, and the maximum current output is 400mA.

## I/O Slots and I/O Ports Numbering

The ADAM-5090 module provides four RS-232 ports for communication with target devices. The ports are numbered 1 through 4. For programming, the definition of port number depends on the slot number and port number. For example, the second port on the ADAM-5090 in slot 1 is defined to port 12.

## Jumper Settings

This section tells you how to set the jumpers to configure your ADAM-5090 module. There are four jumpers on the PC Board. User can choose RI signal or 5V output for each port by setting these jumpers (system default is RI signal).

The following figure shows the location of the jumpers:

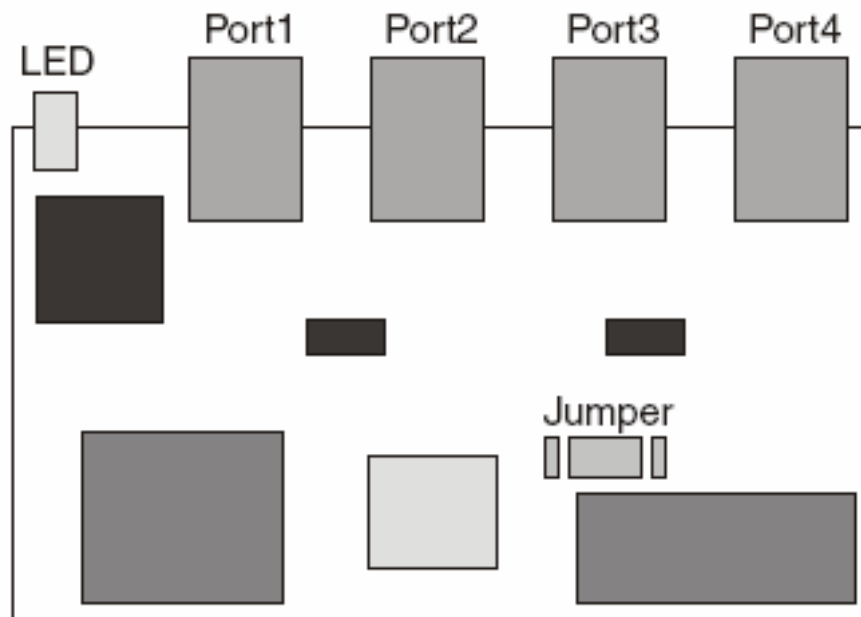


Figure 7.3 Jumper Locations on the CPU Card

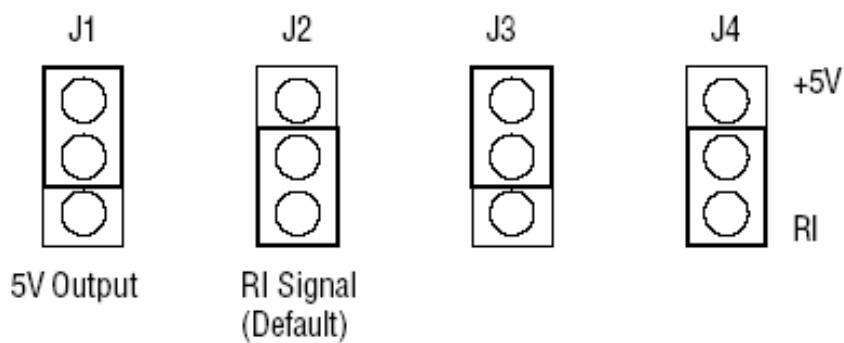


Figure 7.4 Jumper Settings

### LED Status of the ADAM-5090 Module

There are two LEDs for each port on the front panel of the ADAM-5090 to display specific communication status:

- **Green LED (RX):** Data Receiving Status; the LED indicator is on when the port is receiving data.
- **Orange LED (TX):** Data Transmitting Status; the LED indicator is on when the port is transmitting data.

### Configuring Your ADAM-5090 Module

This section explains how to configure an ADAM-5090 module before implementing it into your application.

#### Quick Start

**Step 1:** Get your host PC ready, and run the ADAM-5510 Utility Software.

**Step 2:** Install the ADAM-5090 Module and power on your ADAM-5510 main unit.

**Step 3:** Download the executable program to the main unit

**Step 4:** Monitor the ADAM-5090 Module's current status from the PC through the utility software.

A basic example program for the ADAM-5090

```
main()
{
//Install the port you would like to use. Here we install slot 0, port 1.
port_install(1);
// Here we install slot 2, port 2.
port_install(22);

//Select working port. Here we select slot 0, port 1.
port_select(1);
//Set port data format.
//Here we set the data format of port 1 as length:8; parity:0;stop_bit:1. (N81)

port_set_format(1,8,0,1);

//Set port speed. Here we set communication speed of port 1 as 115200 bps.
//(L is necessary)

port_set_speed(1,115200L);

//Enable Port FIFO. Here we enable 128 byte FIFO for port1.
```

---

```
port_enable_fifo(1);
```

```
//After these above settings are enabled, you can apply any other function library to  
implement your program.
```

```
}
```

—A receive-and-transmit example program for the ADAM-5090

```
main()
```

```
{
```

```
int err_value, char character port_installed(1)
```

```
:
```

```
:
```

```
port_enable_fifo(1);
```

```
//check whether error has been received or not
```

```
err_value=port_rx_error(1);
```

```
//if error detected, print out the message
```

```
if(err_value)
```

```
{
```

```
printf("\n Rx Error, The LSR Value=%02X", Err_value);
```

```
}
```

```
//check whether FIFO receives data or not; if data received, read a character
```

```
if(port_rx_ready(1))
```

```
{
```

```
character=port_rx(1);
```

```
}
```

```
//check whether FIFO is empty or not, if empty, send a character
```

```
if(port_tx_empty(1));
```

```
{
```

```
port_tx(1, character)
```

```
}
```

```
}
```



## 7.1.2 ADAM-5091 4-port RS-232 Communication Module with share interrupt (Only for ADAM-5550 Series)

### Bi-direction Communication

The ADAM-5091 is equipped with four RS-232 ports with share interrupt, which makes it especially suitable for bi-direction communication. It can simultaneously read data from other third-party devices such as Bar Code and PLC as long as these devices are equipped with a RS-232 interface. Furthermore, the ADAM-5091 can issue commands to control other devices. It is fully integrated with the ADAM-5550, and transmits data to each other through the RS-232 port. The whole integrated system is an intelligent stand-alone system and can connect and issue commands to control devices such as printers and PLCs in remote factory location.

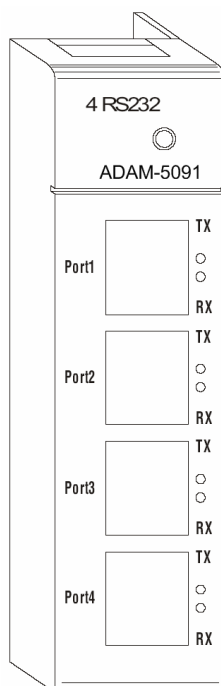
The ADAM-5091 transmits and receives data by sharing interrupt communication, and each port can receive up to 128 bytes in the FIFO. For continuous data longer than 128 bytes, please refer to Table 27 for Baud Rate setting to avoid data loss.

Baud Rate (bps)	115200	57600	38400	19200	9600	4800	2400
Polling interval (ms)	11.11	22.22	33.33	66.66	133.33	266.66	533.33

### Communication Backup Function

With the ADAM-5091 you can implement dual communication channels between your PC and the ADAM system. Even when one of the two communication channels is down, your system can still function through the alternative communication channel. This dual communication channels can be implemented by application software.

### ADAM-5091 Module Diagram



**Figure 7.5 ADAM-5091 Module**

## ADAM-5091 Application Wiring

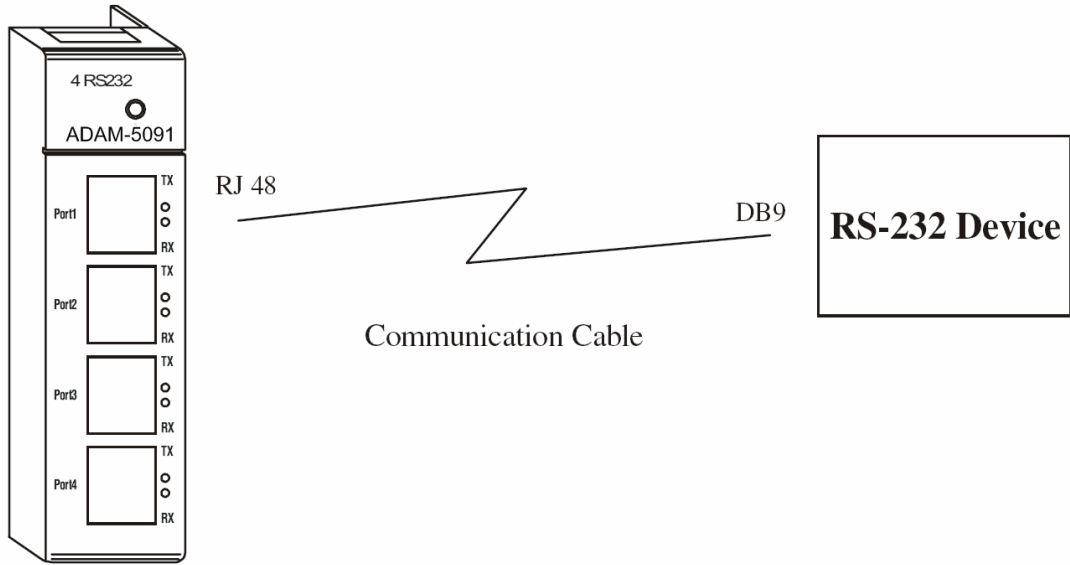


Figure 7.6 ADAM-5091 Application Wiring

## PIN Mapping

Table 7.5: PIN Mapping		
PIN Name	RJ-48	DB9
/DCD	1	1
RX	2	2
TX	3	3
/DTR	4	4
GND	5	5
/DSR	6	6
/RTS	7	7
/CTS	8	8
RI or +5V	9	9
GND	10	X

Table 7.6: ADAM-5091 Technical Specifications	
Function	Provides communication ports for the ADAM-5550 to integrate other devices with communication function into your system
Electrical Interface	4 ports RS-232
Communication Rates	4800, 9600, 19200, 38400, 115200bps
FIFO	128 bytes/per UART (Tx/Rx)
Indicator	Tx (Green), Rx (Red)
Power Required	100mA @ 5V <sub>DC</sub> Default in RI mode (*)

### **I/O Slots and I/O Port Numbering**

The ADAM-5091 module provides four RS-232 ports for communication with target devices. For more information about the number of slot and COM port, you may refer to the section of "ADAM-5091 COM port configuration" in ADAM-5550KW series Manual.

### **LED Status of the ADAM-5091 Module**

There are two LEDs for each port on the front panel of the ADAM-5091 to display specific communication status:

- a. Red LED (RX): Data Receiving Status; the LED indicator is on when the port is receiving data.
- b. Green LED (TX): Data Transmitting Status; the LED indicator is on when the port is transmitting data.



# Chapter 8

## Storage Modules

## 8.1 Storage Modules

### 8.1.1 Compatible ADAM-5000 Series Main Units

The ADAM-5030 is a 2-slot SD storage module to be implemented with the following Advantech ADAM-5000 series main units:

#### ADAM-5030 SD Storage Module

The ADAM-5030 storage module provides 2 slot of SD cards. When you insert the SD card into the ADAM-5030, please remove the name plate first. Please be careful to remove it. If you remove it with great exertion, it may be damaged.

#### ADAM-5030 Diagram

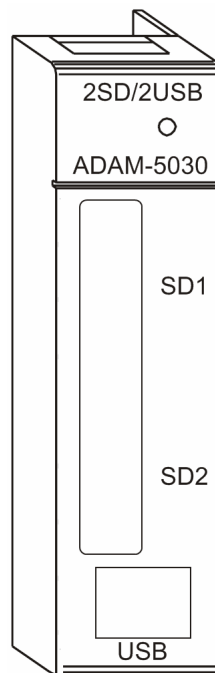


Figure 8.1 ADAM-5030 Module Frontal View

**Table 8.1: Technical Specifications of ADAM-5030**

USB Type	USB Rev 2.0 (Compliant)
USB Number	2
Storage Type	SD (Secure Digital Card)
Storage Number	2
Operating Temperature	0~60 (32~140)
Certification	CE
Power Consumption	3 W (Max)
Max Storage	1G (Max) x 2
Format	FAT16
Surge Protection	10kW
Hot Swap	Yes

# Chapter 9

Motion Modules

## 9.1 Motion Modules

### 9.1.1 ADAM-5202 4-port AMONet Master Module

The ADAM-5202 provides 4-port AMONet Master Module. When you insert the SD card into the ADAM-5202, please remove the name plate first. Please be careful to remove it. If you remove it with great exertion, it may be damaged.

#### ADAM-5202 Diagram

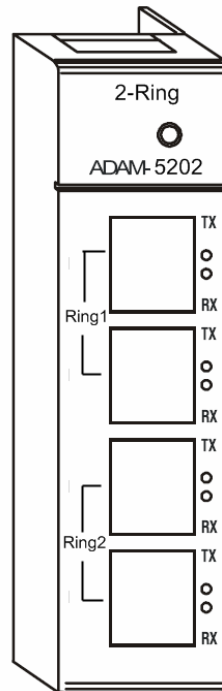


Figure 9.1 ADAM-5202 Module Front View

Table 9.1: Technical Specifications of ADAM-5202	
Certifications	CE
Power Consumption	0.5 W (Max.)
Connectors	RJ-45
LED Indicators	Active, Error (Each Port)
Number of Rings	2
Transmission Speed	2.5, 5, 10 or 20 Mbps with automatic data flow control
Serial Interface	Half duplex RS-485 with transformer isolation
Cable Type	CAT5 UTP/STP Ethernet cable
Surge Protection	10 kV
Communication	Max. 100 m (20 Mbps/32 slave modules) 50 m (20 Mbps/64 slave modules) Distance
Communication	Slave 2 Rings with Max. 128 (1 Ring with 64 slaves) Module Number
Operating Temperature	0 ~ 50° C (32 ~ 122° F)