

# Adjustable Cross Direction Mounting Kit for Directional Panel Antenna

## JWDA-Mount-Kit-00

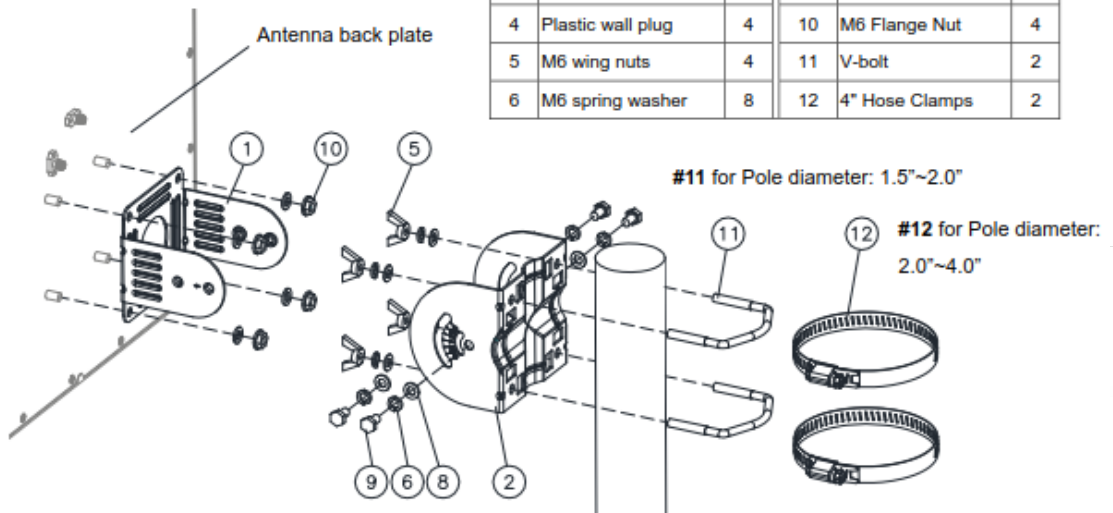


- ▶ Adjustable Cross Direction Mounting Kit for Directional Panel Antenna
- ▶ Apply to : JWDA-2.4G-14dBi-SM-00

### Quick Installation Guide

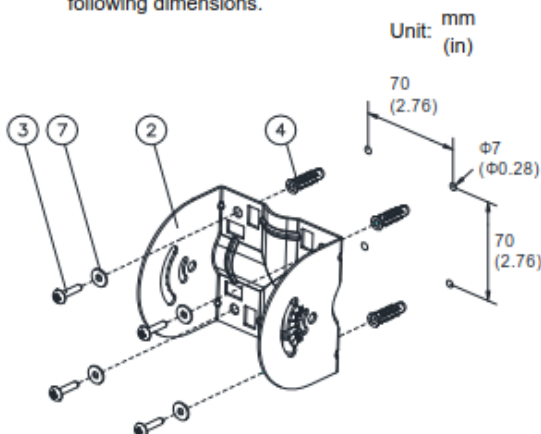
#### # 1. Pole Mount (Pole diameter: 1.5~4.0 in)

| NO | DESCRIPTION               | QTY | NO | DESCRIPTION     | QTY |
|----|---------------------------|-----|----|-----------------|-----|
| 1  | Bracket Panel             | 1   | 7  | M4 flat washer  | 4   |
| 2  | Bracket VV                | 1   | 8  | M6 flat washer  | 12  |
| 3  | 5/32" Self tapping screws | 4   | 9  | Hex Bolt M6x10L | 4   |
| 4  | Plastic wall plug         | 4   | 10 | M6 Flange Nut   | 4   |
| 5  | M6 wing nuts              | 4   | 11 | V-bolt          | 2   |
| 6  | M6 spring washer          | 8   | 12 | 4" Hose Clamps  | 2   |



#### # 2. Alternative wall mount

- Drill 4 holes on the wall with following dimensions.



#### # Tilt angle adjustable by pole mount

(Based on the panel antenna by 380x380mm)

