

Industrial LoRa Private Gateway

JetWave 4110L Gateway



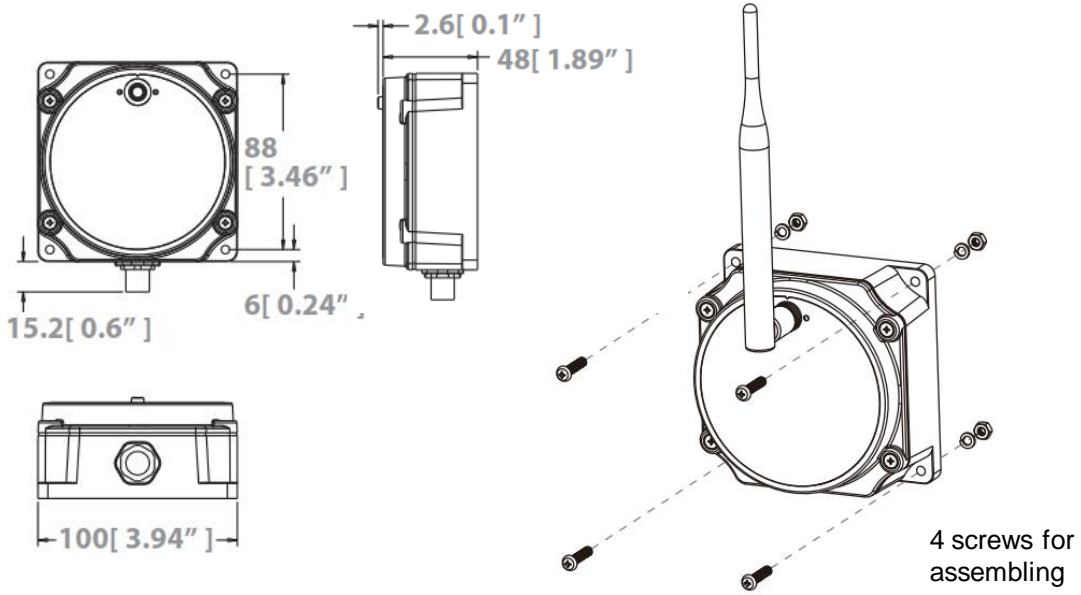
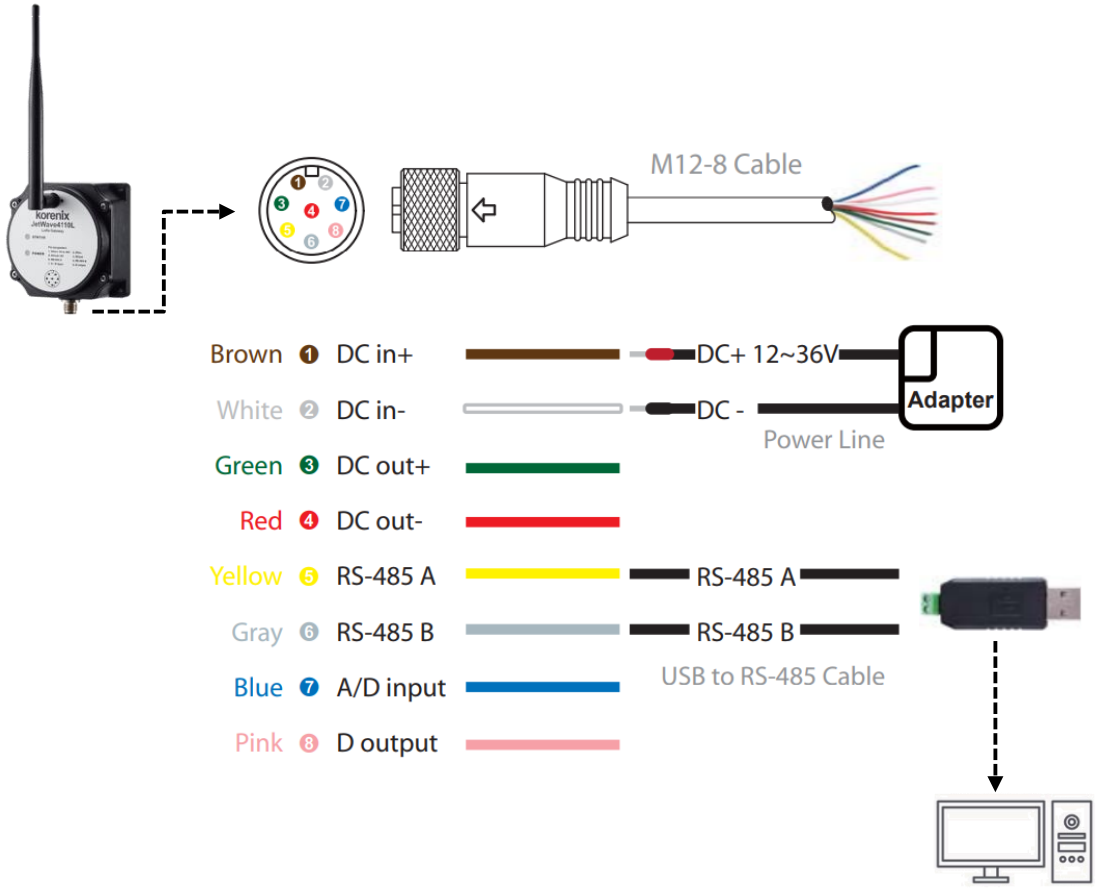
- LoRa Wireless data link provide stable data stream.
- Outdoor IP68 design.
- High output RF Power and high sensitivity provide more than 40KM transmission distance.
- Multi-Interface support RS-485 / Analog or Digital Input / Digital Output.
- Resist the water, dust, temperature and shock and meet with the IP68 standard.
- Analog Input support 0-10 V / 4-20 mA / ADC
- Digital Output support PWM / Latch Mode.
- AUX I/O support remote setup/status inquiry function.



Overview

The JetWave4110L is a outdoor industrial grade LoRa Gateway for the Serial to LoRa environment monitoring market. The LoRa Gateway series equips with one embedded LoRa module, one M12 connector, 1 serial port and 1 AI/DI and 1DO. With the LoRa (Long Range) technology, it supports up to 21k DL/UL for wireless communication.

The LoRa gateway also supports Software setting function such as Frequency / ID / P2P / Group / Broadcast / Power output. The industrial grade design supports 12V ~ 36V DC input, wide operating temperature and heavy industrial grade environment protection.



Specification

Interface	
Serial	RS-485 x 1
AI/DI/AO/DO	Analog or Digital Input x 1 / Digital Output x 1
RS-485 Protocol	Modbus RTU
Serial Interface Baud Rate	4800bps / 9600bps / 19200bps / 38400bps / 57600bps / 115200bps / 230400bps
Analog Input	Analog Input Support 0~10 V / 4~20 mA / ADC (0~10 V)
Digital Input	Digital Input Support High / Low Signal Judge
Digital Output	Digital Output Support PWM/ Latch Mode
LoRa	
Operating Frequency Range	410 ~ 525MHz / 862 ~ 1020MHz (According to the local regulatory compliance.)
Sensitivity	Up to -136dBm@SF=7 / 10.4K bandwidth
Transmit RF Power	Maximum 2W
Management	
Management	Software setting function such as Frequency / ID / P2P / Group / Broadcast / Power output
Power Requirement	
Input Power Supply	12V ~ 36V DC
Output Power Supply	5V DC / 200mA (Max.)
Power Consumption	24V 15mA @868 / 920MHz receive, 24V 400mA @868 / 920MHz transmit 2W
Mechanical	
Enclosure	Plastic
Main Unit Dimensions	10 x 10 x 4.8 cm (Not include antenna and external connect)
Weight	195 g
Waterproof	IP 68
Environmental	
Operating Temperature	-40 ~ 85°C
Operating Humidity	5% ~ 95% (operating)
Storage Temperature	-40 ~ 95 °C
Approvals	
Certification	RED: CE EN55032/55024 EN 61000-6-2/4 Industrial Environment Safety EN60950-1 FCC Part 15B
Warranty	2 years
Ordering Information	
JetWave4110L	[JetWave4110L] Industrial LoRa Gateway Include M12-8pin cable *1
Optional Accessory	
USB to RS485 Cable	USB to RS485 Cable