

JetNet M12 Product Accessory

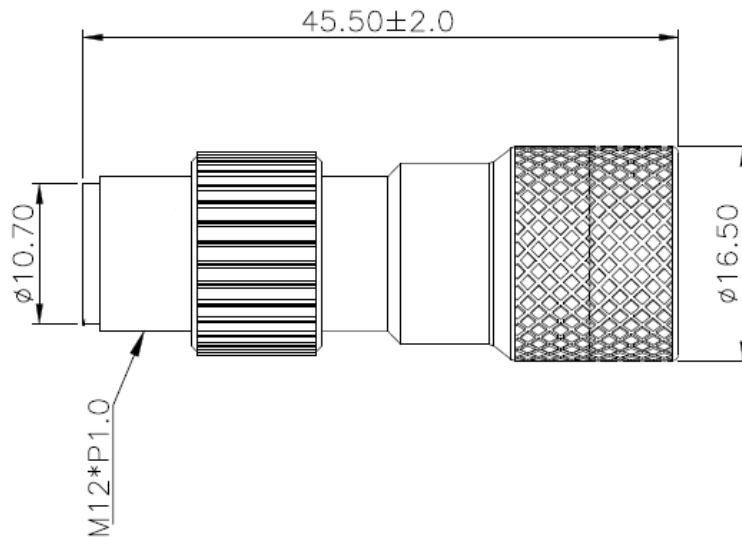
8GM12USB



M12-USB 8G Backup Device

- ▶ Connector : M12 8-pin
- ▶ USB Standard: High Speed USB 2.0(Backwards compatible with USB 1.1 Standard)
- ▶ Ingress Protection: IP67
- ▶ ESD Testing: 6K Contact/ 8K Air
- ▶ Housing Material: Metal
- ▶ Operating Temperature : -40-85°C

Dimension



Ordering Information

Model Name	Description
8GM12USB	Industrial M12-USB 8G Memory