

## ROCKETPORT® INFINITY 4J

Part Number: 30023-6



### KEY FEATURES AND BENEFITS

- RJ45 multi-port serial expansion using a single PCI slot maximizes host expansion capabilities; adds additional COM ports using only one slot
- Low-latency communication supporting the widest variety of applications
- Support for the most popular Windows operating systems (including Windows® 10) and Linux kernels and QNX 6.x
- Windows driver, which can be configured for interrupt or polling mode
- RS-232, RS-422, and RS-485 software-selectable
- On-board dedicated 44MHz RISC processor minimizes “host” CPU utilization
- Edge-mounted RJ45 serial ports provide cost-effective, compact serial connections
- Transmit and receive buffers 32 times larger than a standard 16550 UART-based serial card ensuring smooth, efficient data transfer
- Free troubleshooting tools in the event you want to diagnose an issue:
  - Hardware diagnostics
  - LCOM (Linux tool for testing serial ports)
  - Control Utility, which includes Test Terminal (WCOM2) for serial port testing and Port Monitor for monitoring ports

### PRODUCT DESCRIPTION

Control's RocketPort INFINITY 4J serial port expansion card provides four “native” serial ports utilizing a single PCI card slot and is compatible with all PCI Infinity bus architectures. The RJ45 serial ports, mounted on the edge of the card, support software configurable RS-232/422/485 serial communications at speeds up to 921.6 Kbps. Product is fully compatible with systems that have 32 or 64 bit 3.3 or 5 volt PCI and PCI-X expansion slots. The INFINITY design utilizes the Control Unity ASIC technology

that takes full advantage of the 66 MHz BUS speed available on PCI-X servers

Every RocketPort serial card features the high-performance RocketPort processor chip, consisting of a dedicated 44MHz core that minimizes host CPU utilization and optimizes data transmission via larger transmitand- receive buffers than those of 16550 UART chips, commonly used in standard PC serial ports and low-end serial cards.



# ROCKETPORT SPECIFICATIONS

## HARDWARE

- Maximum Cards/System**  
4
- Bus Interface Specification**  
UNIVERSAL PCI PCI-X COMPATIBLE
- Board Dimensions**  
4.7" x 3.8"
- Product Weight (w/ cables)**  
2.4 oz

## ELECTRICAL SPECIFICATIONS

- Current Consumption**  
3.3 V or 365mA
- Power Consumption (Max.)**  
1.2 Watts
- ESD Surge Protection**  
Provides minimum of 15KV for all serial lines

## ENVIRONMENTAL SPECIFICATIONS

- Air Temperature**
  - System On 0° to 60°C
  - System Off -20° to 85°C
- Operating Humidity**  
5% to 95%
- Altitude**  
0 to 10,000 feet  
3,048m
- Heat Output**  
4.1 BTU/Hr
- Mean time between failures (MTBF)**  
90.4 years

## DEVICE DRIVERS

- FreeBSD 5
- FreeBSD 6
- QNX® 6.X
- Linux
- Microsoft® Windows® 7
- Microsoft® Windows® 8
- Microsoft® Windows® 8.1
- Microsoft® Windows® 10
- Microsoft® Windows® Server 2008 R2
- Microsoft® Windows® Server 2012

## SERIAL COMMUNICATIONS

- Connector Type**  
RJ45
- Supported Standards**  
RS-232/422/485
- Baud Rate**  
300bps to 460Kbps
  - Receiver Buffer: 512 bytes
  - Transmit Buffer: 512 bytes
- Data Bits**  
5, 6, 7, or 8
- Parity**  
Odd, Even, None, Mark and Space
- Stop Bits**  
1, 1.5, or 2
- Flow Control**  
Hardware or Software
- Ring Indicator**  
No

## EXPORT INFORMATION

- Package Shipping Weight**  
0.65 lb
- Package Dimensions**  
10 1/4" x 7 1/2" x 2 3/4"
- UPC Code**  
7-56727-30023-6
- ECCN**  
EAR99
- Schedule B Number**  
8471.80.1000

## FEATURES

- RoHS 2 compliant under CE
- Low-Profile or Standard Height
- Easy Setup
- 5 Year Warranty

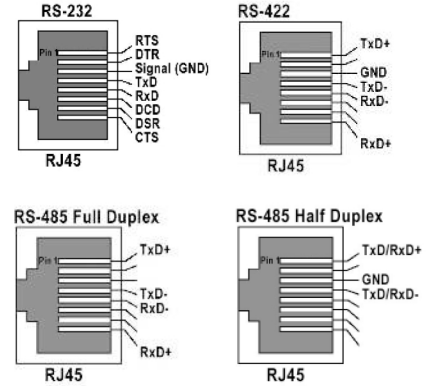
## REGULATORY APPROVALS

- Emissions**
  - Canadian EMC Requirements ICES-003
  - European Standard EN55022
  - FCC Part 15 Subpart B: Class B limit
  - AS/NZS CISPR 22
- Immunity**
  - European Standard EN55024
  - IEC 1000-4-2/EN61000-4-2: ESD
  - IEC 1000-4-3/EN61000-4-3: RF
  - IEC 1000-4-4/EN61000-4-4: Fast Transient
  - IEC 1000-4-5/EN61000-4-5: Surge
  - IEC 1000-4-6/EN61000-4-6: Conducted Disturbance
  - IEC 1000-4-8/EN61000-4-8: Magnetic Field
  - IEC 1000-4-11/EN61000-4-11: Dip and Voltage
- Safety**
  - IEC 60950/EN60950 (LISTED)
  - CSA C22.2 No. 60950/UL60950 Third Edition
- Other**
  - RoHS2 Compliant

## Regulatory Approvals



## PINOUTS



## Warranty Information

Control offers a 30-day satisfaction guarantee and 5-year limited warranty.

## Sales Support

+1.763.957.6000  
sales@comtrol.com

## Technical Support

+1.763.957.6000  
www.comtrol.com/support

## Email, FTP, and Web Support

info@comtrol.com  
ftp.comtrol.com  
www.comtrol.com