



IOLAN STS8D GR/SDS8P GR Quick Start Guide

The STS8D GR and the SDS8P GR models provide Serial port to Ethernet connectivity. Leading edge features include, next generation IP support (IPV6) and 10/100/1000 Ethernet speeds. The SDS8P GR also includes universal software selectable EIA 232/422/485 interfaces and is 802.3af Power over Ether (PoE) compliant.

This guide covers basic installation and configuration and is intended for first time setup or product evaluation.

Complete details can be found in the following guides at;

www.perle.com/downloads.

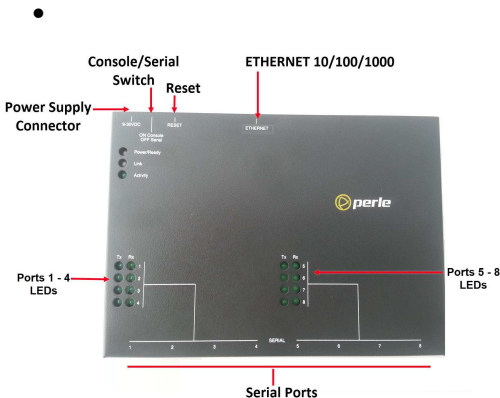
- IOLAN User's Guide
- IOLAN Command Line Interface Reference Guide
- IOLAN STS8D GR/SDS8P GR Installation Guide

What's in the box?

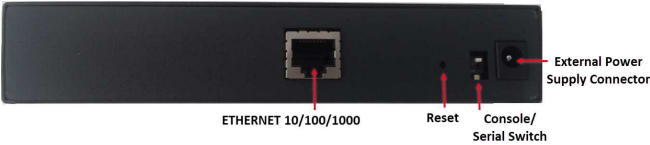
The IOLAN

- STS8D GR – 8 ports with 8 RJ45 serial ports (EIA 232) or
- SDS8P GR – 8 ports with 8 RJ45 serial ports with selectable (EIA-232/422/485 mode) and 802.3af Power over Ether (PoE) compliant
- External power supply
- A Quick Start Guide (this document)
- Power adapter, strain relief strap and rubber feet
- Wall mount brackets

Hardware Overview



Back View



Button/Switch Functions

Reset Button

The inset RESET button will reboot the IOLAN if pushed in and released quickly. It will reset the IOLAN to factory defaults if pushed in and held for more than three seconds.

Console/Serial Switch

The IOLAN is set in the factory to serial (up position). Unless you plan to attach a console to the IOLAN, leave the dip switch in the serial position. If this DIP switch is set to the down position, then the serial port is in console mode. In console mode, the port provides access to the IOLAN management function using the industry standard CLI command set. See the IOLAN Command Line Interface Reference Guide.

Connecting the Hardware

Connecting the barrel connector

Plug the barrel connector end into the IOLAN, then plug the power adapter into a power source. The Power/Ready LED should show a solid green after the boot sequence.

1. Connect the Ethernet cable from the RJ-45 plug (10/100/1000) to the HUB or switch that will provide network connectivity (if applicable to your application).
2. The console dip switch on the IOLAN should be set to the up position for serial mode.
3. Connect the power cord strain relief, if desired. See IOLAN STS8D GR/SDS8P GR Hardware Installation.

Power over Ethernet

The IOLAN SDS8P GR can operate as a Powered Device (PD) under IEEE 802.3af operating with end-span and mid-span power sources (PSE).

Power On Cycle

When the power is connected to the IOLAN, the Power/Ready LED will cycle through several sequences and will end in a solid green once the unit is fully booted and ready to be configured. If the LED is not solid green after two minutes, see the IOLAN STS8D GR/SDS8P GR Hardware Installation Guide.

LED Guide

System Ready

- **Green Solid**—System Ready
- **Flashing**—System is booting or DIP switch is in console mode

- **Yellow**—Flashing—Booting
- **Red**—Error condition. See the IOLAN SDS8D GR/SDS8P GR Hardware Installation Guide

Link

- **Green**—1000 Mbps (flashes with activity)
- **Amber**—10/100 Mbps (flashes with activity)
- **Off**—No LAN connection

Serial Activity

- **Green off** —No serial activity
- **Green flashing**—Tx/Rx flashes with transmit/receive serial activity

Connecting Ethernet

Connect the network to the Ethernet port using a Cat5/5e Ethernet cable.

Connecting the Serial Device

Connect the serial device to the IOLAN serial port.

See the IOLAN STS8D GR/SDS8P GR Hardware Installation Guide for pinout details and how to terminate the serial port for 485/Full/Half and 422 mode if your application requires it. Software selectable EIA 232/422/485 interfaces are only supported on the SDS8P GR model.

Configuring the Unit

The IOLAN features several different configuration methods (i.e. HTTP, Telnet, SNMP) as well as an external Windows based Utility (DeviceManager). For the most up to date documentation on any of these configuration methods see the IOLAN User's Guide

For the most recent version of the Device Manager and other utilities, please refer to the Perle website at www.perle.com

Connecting to the IOLAN

1. Install the DeviceManager software to your laptop or PC.
2. Start the DeviceManager program from installed programs.
3. Under the DeviceManager menu, select **File**, then select **Connect to**.
4. Your IOLAN will show as Unconfigured in the list.
5. Select your IOLAN from the list and select the **Assign IP** button.
6. Assign a valid IP address to the IOLAN that is on your network.
7. You will be prompted by the software for the admin password before being able to connect and configure the IOLAN (**superuser** (case sensitive)).
8. You should change the admin password to restrict unauthorized access to the IOLAN.

Registering the IOLAN

You should register IOLAN online at:

www.perle.com/support_services/warranty_reg.asp Contacting Technical Support

Contact information for the Perle Technical Assistance Center (PTAC) can be found at the link below.

www.perle.com/support_services/support_request.shtm